

VERSA STEEL SPECIFICATION

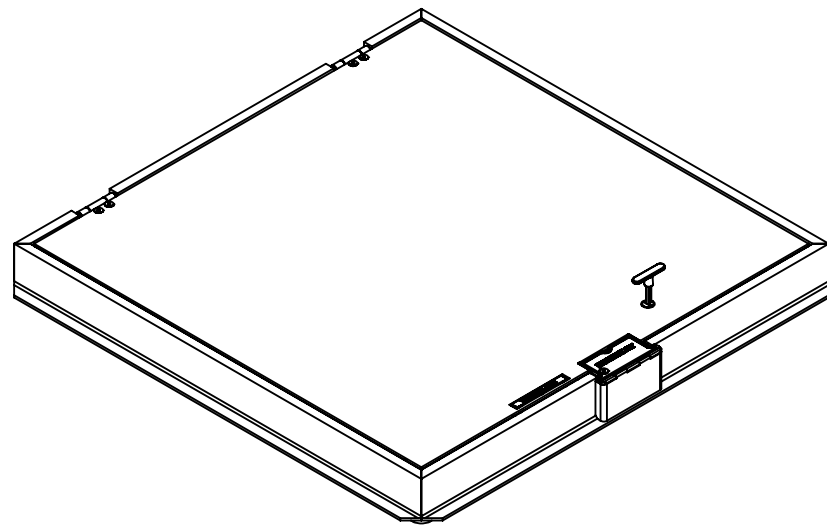
FLOOR AND SIDEWALK 300 PSF
PEDESTRIAN

HATCH ASSEMBLY, FW300 SERIES 42 X 42

Assembly No.:VSH-FW300-A-42-42-S-GS

ASSEMBLY NO./PART NUMBER KEY:

VSH= VERSA STEEL INC. HATCH
FW300 = FLUSH 300 P.S.F. RATED, CAST IN DRAINABLE FRAME
A= ALUMINUM CONSTRUCTION
36-36= SIZE INTERIOR OPENING
S = SINGLE LEAF
GS= GAS SPRING ASSIST

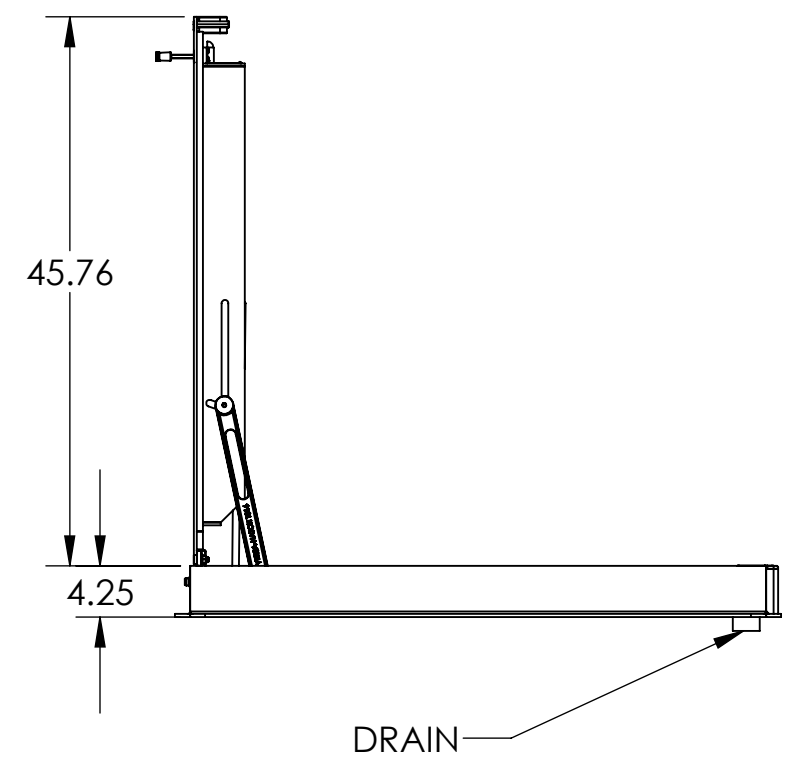
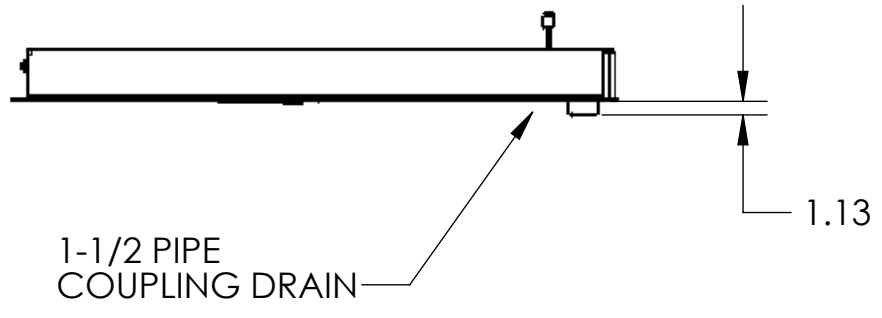
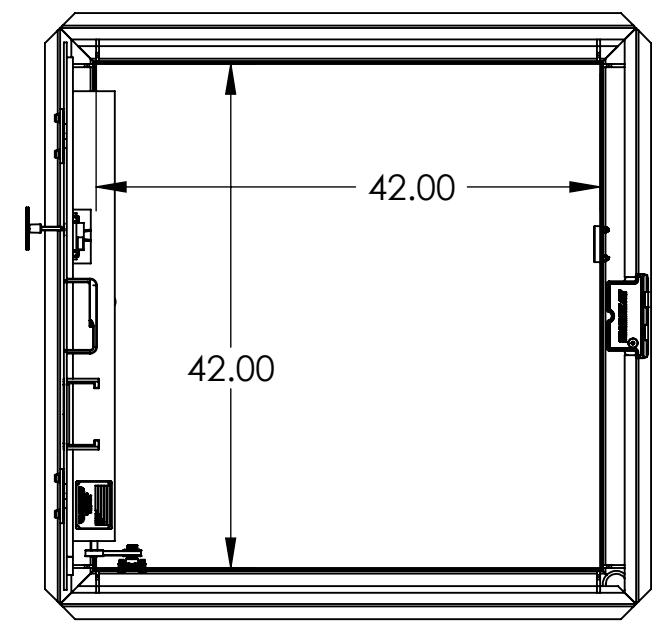
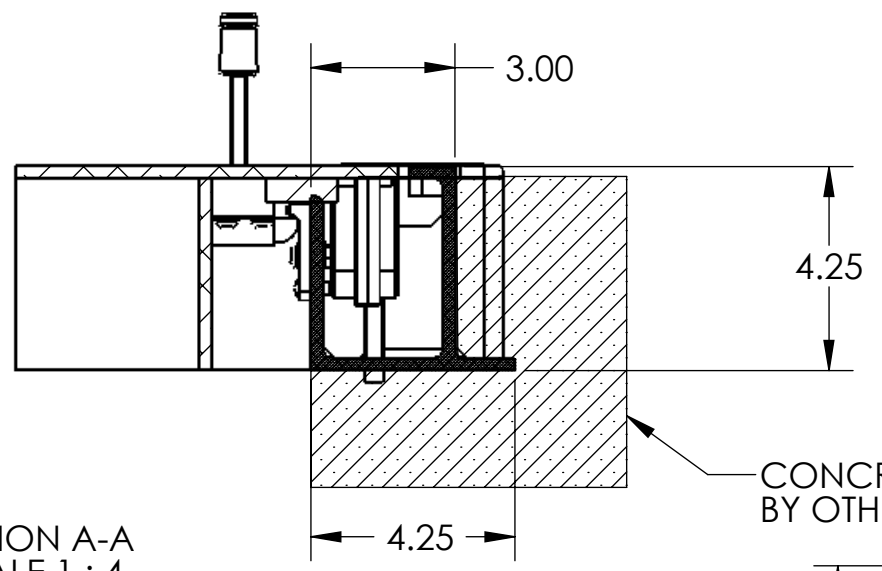
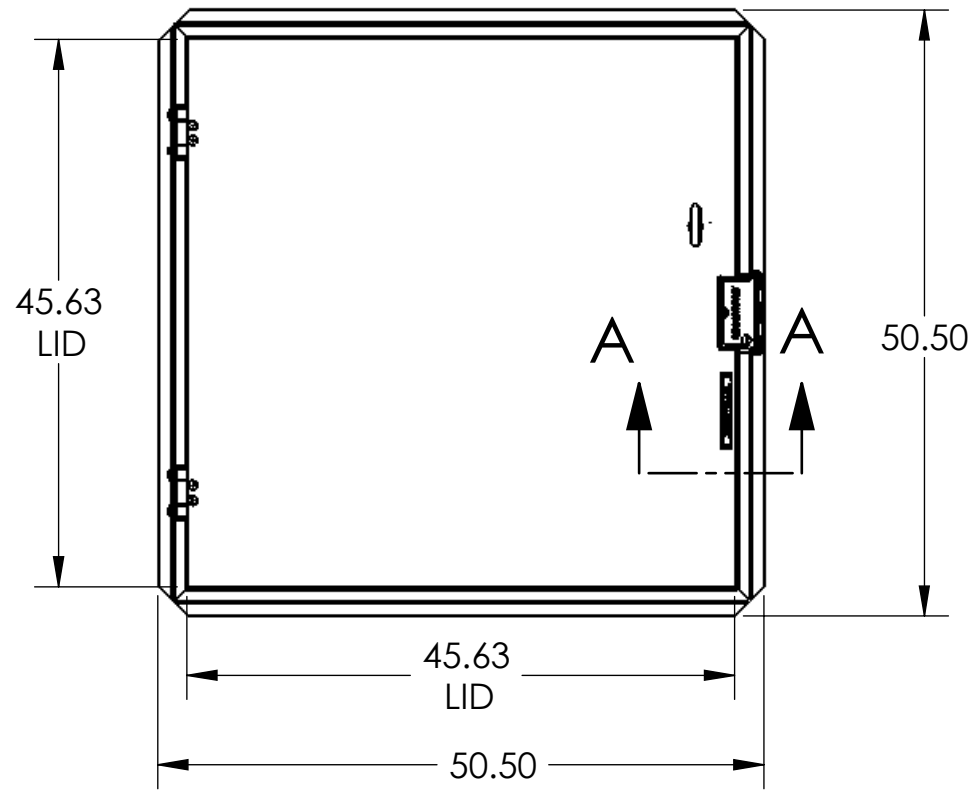


GENERAL SPECIFICATIONS:

1. UNIT IS WEATHER PROOF WITH CONTINOUS EPDM SEAL ON LID TO FRAME.
2. LID TOP IS FLUSH TO FRAME. FRAME IS CONTINOUS EXTRUDED CHANNEL.
3. LID IS HINGED ON SIDE WITH TAMPER PROOF SCREWS AND PROVISION FOR A PADLOCK WITH TAMPER PROOF COVER.
4. HATCH IS DESIGNED FOR 300 P.S.F. LOAD.
5. DESIGNED TO BE CAST IN CONCRETE CURBING AT TOP OF VAULT.
6. LID IS A 1/4" 6061 ALUMINUM TREAD PLATE. OPTIONAL NON-SLIP COATING.
7. ALL FASTENERS AND HARDWARE ARE 316 STAINLESS STEEL.
8. ONE COAT OF BLACK BITUMINOUS PAINT ON THE INSIDE OF FRAME WHERE IT CONTACTS CURBING CONCRETE.
9. DRAINABLE FRAME, DRAIN FITTING SUPPLIED IN ONE CORNER, PLUMBED BY OTHERS.
10. LID IS HELD OPEN IN A 90 DEGREE POSITION WITH A LOCK OPEN ARM. ARM IS MANUALLY RELEASED TO CLOSE HATCH.
11. GAS SPRING ASSIST ON DOOR MANUFACTURED FROM 316 STAINLESS AND FILLED WITH FOOD GRADE OIL.
12. STAINLESS FLUSH LIFT HANDLE IS SUPPLIED AND IS FLUSH WHEN NOT IN USE.
13. SLAM LOCK LATCH IS PROVIDED WITH A TAMPER PROOF PLUG INSTALLED IN LID, COMES WITH A TEE HANDLE TO REMOVE PLUG AND ACTUATE SLAM LOCK.

THIS DOCUMENT CONTAINS PROPRIETARY, TRADE SECRET, INFORMATION THAT IS THE PROPERTY OF VERSA STEEL, INC. THE INFORMATION CONTAINED IN THIS DOCUMENT, INCLUDING THE PRINCIPLE OF DESIGN, MAY NOT BE USED OR COPIED, IN WHOLE OR IN PART, WITHOUT THE EXPRESS PRIOR WRITTEN CONSENT OF VERSA STEEL, INC.

VERSA STEEL, INC. 1618 NE FIRST AVENUE PORTLAND, OREGON 97232 (503)287-9822 FAX (503)-287-7483		G F E D C B A	REV ISSUED FOR DATE BY
DRAWN BY		E.BAILIFF	
DATE		2010-11-24	
CHECKED BY			
APPROVED BY			
MATERIAL	FINISH	SHEET TITLE	PART NUMBER
		HATCH ASSEMBLY, FW300 SERIES 42 X 42	VSH-FW300-A-42-42-S-GS
SUPPLIER		VSH-FW300-A-42-42-S-GS	
SCALE		1:16	
DRAWING NO.		VSH-FW300-A-42-42-S-GS-SI	
REVISION NO.		A	
SHEET NO.		1 OF 2	



NOTES:
 PN: VSH-FW300-A-42-42-S-GS
 DESC: HATCH ASSEMBLY, FW300 SERIES 42 X 42
 MATRL:
 EST. WT: 117.71
 FINISH:
 NOTE:
 CAD FILE: VSH-FW300-A-42-42-S-GS-SPEC

THIS DOCUMENT CONTAINS PROPRIETARY, TRADE SECRET INFORMATION THAT IS THE PROPERTY OF VERSA STEEL, INC. THE INFORMATION CONTAINED IN THIS DOCUMENT, INCLUDING THE PRINCIPLE OF DESIGN, MAY NOT BE USED OR COPIED, IN WHOLE OR IN PART, WITHOUT THE EXPRESS PRIOR WRITTEN CONSENT OF VERSA STEEL, INC.

DRAWN BY E. BAILIFF		VERSAL STEEL, INC. 1618 NE FIRST AVENUE PORTLAND, OREGON 97232 (503)287-9822 FAX (503)-287-7483	
DATE 2010-11-24		REV	
CHECKED BY		A	
APPROVED BY		B	
MATERIAL		C	
FINISH		D	
SHEET TITLE HATCH ASSEMBLY, FW300 SERIES 42 X 42		E	
PART NUMBER VSH-FW300-A-42-42-S-GS		F	
SUPPLIER		G	
SCALE 1:16		ISSUED FOR	
DRAWING NO. VSH-FW300-A-42-42-S-GS-S		DATE	
REVISION NO. A		BY	
SHEET NO. 2 OF 2			