

# VERSA STEEL SPECIFICATION

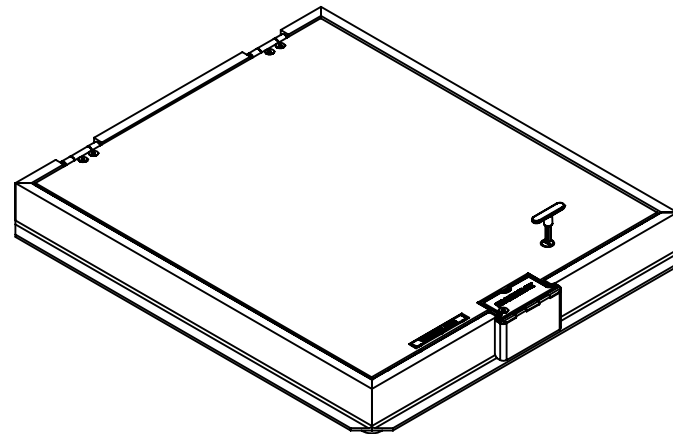
FLOOR AND SIDEWALK 300 PSF  
PEDESTRIAN

HATCH ASSEMBLY, FW300 SERIES 30 X 36

Assembly No.:VSH-FW300-A-30-36-S-GS

ASSEMBLY NO./PART NUMBER KEY:

VSH= VERSA STEEL INC. HATCH  
FW300 = FLUSH 300 P.S.F. RATED, CAST IN DRAINABLE FRAME  
A= ALUMINUM CONSTRUCTION  
36-36= SIZE INTERIOR OPENING  
S = SINGLE LEAF  
GS= GAS SPRING ASSIST

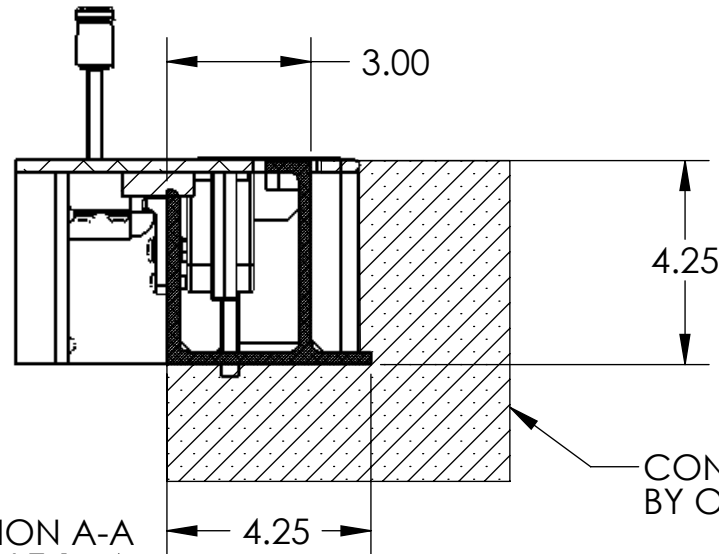
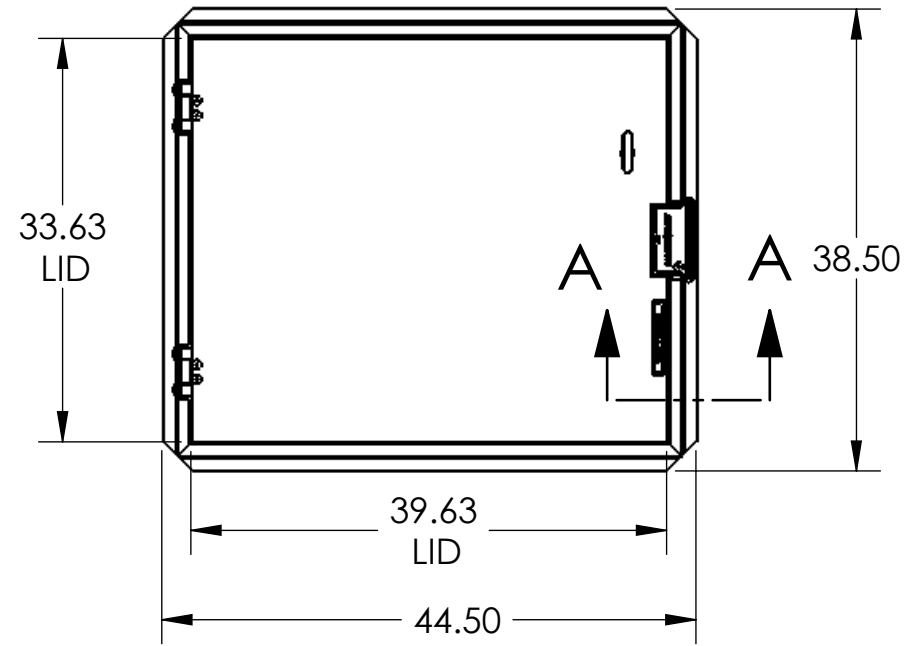


## GENERAL SPECIFICATIONS:

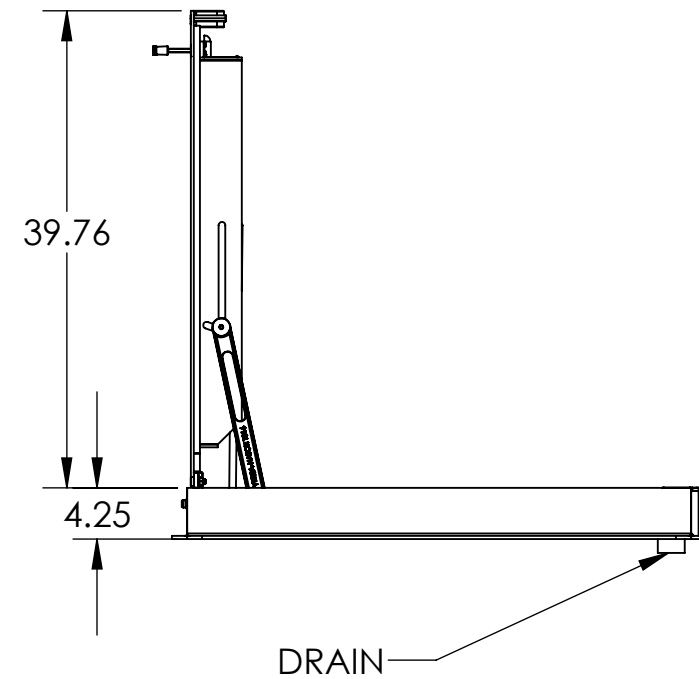
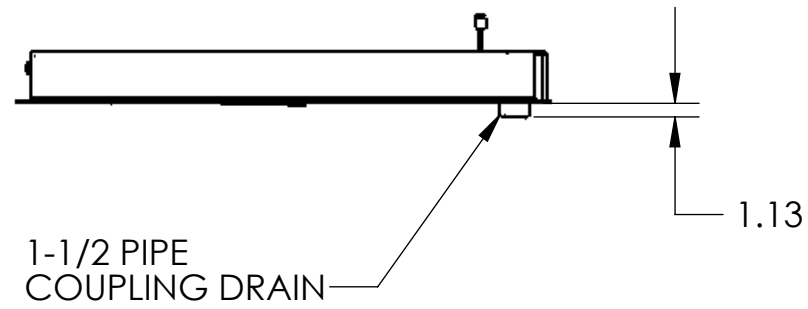
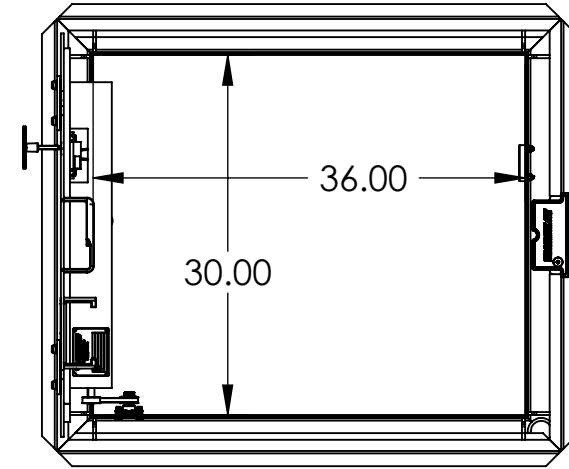
1. UNIT IS WEATHER PROOF WITH CONTINOUS EPDM SEAL ON LID TO FRAME.
2. LID TOP IS FLUSH TO FRAME. FRAME IS CONTINOUS EXTRUDED CHANNEL.
3. LID IS HINGED ON SIDE WITH TAMPER PROOF SCREWS AND PROVISION FOR A PADLOCK WITH TAMPER PROOF COVER.
4. HATCH IS DESIGNED FOR 300 P.S.F. LOAD.
5. DESIGNED TO BE CAST IN CONCRETE CURBING AT TOP OF VAULT.
6. LID IS A 1/4" 6061 ALUMINUM TREAD PLATE. OPTIONAL NON-SLIP COATING.
7. ALL FASTENERS AND HARDWARE ARE 316 STAINLESS STEEL.
8. ONE COAT OF BLACK BITUMINOUS PAINT ON THE INSIDE OF FRAME WHERE IT CONTACTS CURBING CONCRETE.
9. DRAINABLE FRAME, DRAIN FITTING SUPPLIED IN ONE CORNER, PLUMBED BY OTHERS.
10. LID IS HELD OPEN IN A 90 DEGREE POSITION WITH A LOCK OPEN ARM. ARM IS MANUALLY RELEASED TO CLOSE HATCH.
11. GAS SPRING ASSIST ON DOOR MANUFACTURED FROM 316 STAINLESS AND FILLED WITH FOOD GRADE OIL.
12. STAINLESS FLUSH LIFT HANDLE IS SUPPLIED AND IS FLUSH WHEN NOT IN USE.
13. SLAM LOCK LATCH IS PROVIDED WITH A TAMPER PROOF PLUG INSTALLED IN LID, COMES WITH A TEE HANDLE TO REMOVE PLUG AND ACTUATE SLAM LOCK.

THIS DOCUMENT CONTAINS PROPRIETARY, TRADE SECRET, INFORMATION THAT IS THE PROPERTY OF VERSA STEEL, INC. THE INFORMATION CONTAINED IN THIS DOCUMENT, INCLUDING THE PRINCIPLE OF DESIGN, MAY NOT BE USED OR COPIED, IN WHOLE OR IN PART, WITHOUT THE EXPRESS PRIOR WRITTEN CONSENT OF VERSA STEEL, INC.

VERSA STEEL, INC. 1618 NE FIRST AVENUE PORTLAND, OREGON 97232 (503)287-9822 FAX (503)-287-7483		REV	DATE	BY
DRAWN BY E. BAILIFF		G		
DATE 2010-11-24		F		
CHECKED BY		E		
APPROVED BY		D		
MATERIAL		C		
FINISH		B		
SHEET TITLE HATCH ASSEMBLY, FW300 SERIES 30 X 36		A		
PART NUMBER VSH-FW300-A-30-36-S-GS				
SUPPLIER				
SCALE 1:16				
DRAWING NO. VSH-FW300-A-30-36-S-GS-SI				
REVISION NO. A				
SHEET NO. 1 OF 2				



CONCRETE CURBING  
BY OTHERS.



NOTES:  
 PN: VSH-FW300-A-30-36-S-GS  
 DESC: HATCH ASSEMBLY, FW300 SERIES 30 X 36  
 MATRL:  
 EST. WT: 106.71  
 FINISH:  
 NOTE:  
 CAD FILE: VSH-FW300-A-30-36-S-GS-SPEC

THIS DOCUMENT CONTAINS PROPRIETARY, TRADE SECRET INFORMATION THAT IS THE PROPERTY OF VERSA STEEL, INC. THE INFORMATION CONTAINED IN THIS DOCUMENT, INCLUDING THE PRINCIPLE OF DESIGN, MAY NOT BE USED OR COPIED, IN WHOLE OR IN PART, WITHOUT THE EXPRESS WRITTEN CONSENT OF VERSA STEEL, INC.

VERSA STEEL, INC.  
 1618 NE FIRST AVENUE  
 PORTLAND, OREGON 97232  
 (503)287-9822  
 FAX (503)-287-7483

DRAWN BY  
 E. BAILIFF  
 DATE  
 2010-11-24  
 CHECKED BY

APPROVED BY

MATERIAL  
 FINISH  
 SHEET TITLE  
 HATCH ASSEMBLY, FW300 SERIES 30 X 36  
 PART NUMBER  
 VSH-FW300-A-30-36-S-GS  
 SUPPLIER  
 PART NUMBER  
 VSH-FW300-A-30-36-S-GS  
 SCALE  
 1:16  
 DRAWING NO.  
 VSH-FW300-A-30-36-S-GS-S  
 REVISION NO.  
 A  
 SHEET NO.  
 2 OF 2

G	REV	ISSUED FOR	DATE	BY
F				
E				
D				
C				
B				
A				