

VERSA STEEL SPECIFICATION

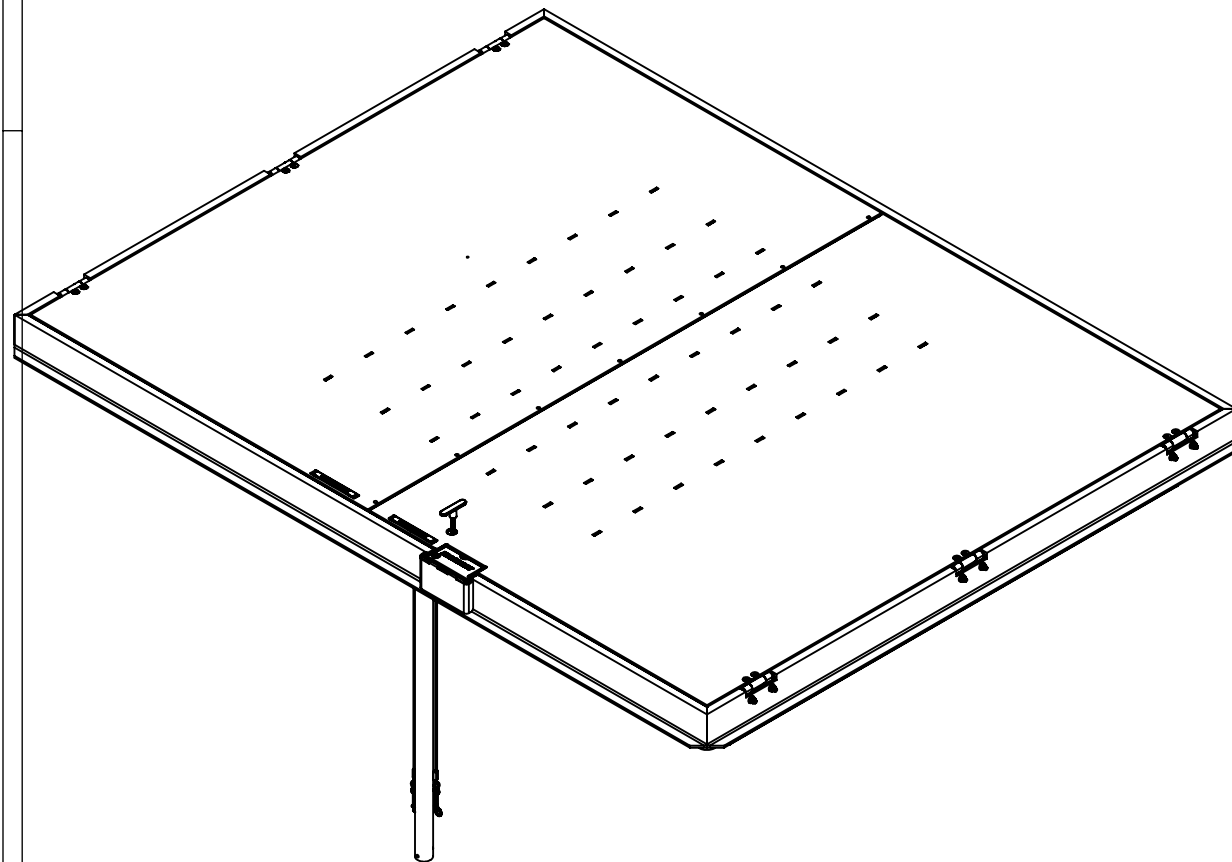
FLOOR, SIDEWALK & STREET
H20 TRAFFIC RATING

H20 HATCH ASSEMBLY, DUAL LEAF-66X96

Assembly No.:VSH-H20-A-66-96-D-GS

ASSEMBLY NO./PART NUMBER KEY:

VSH= VERSA STEEL INC. HATCH
H20 = FLUSH H20 TRAFFIC RATED, CAST IN DRAINABLE FRAME
A= ALUMINUM CONSTRUCTION
36-36= SIZE INTERIOR OPENING
D = DUAL LEAF
GS= GAS SPRING ASSIST

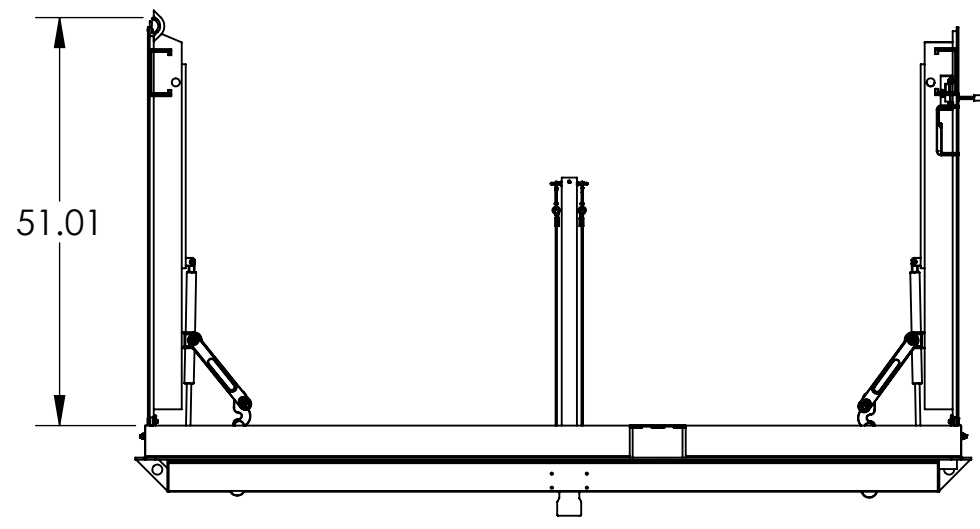
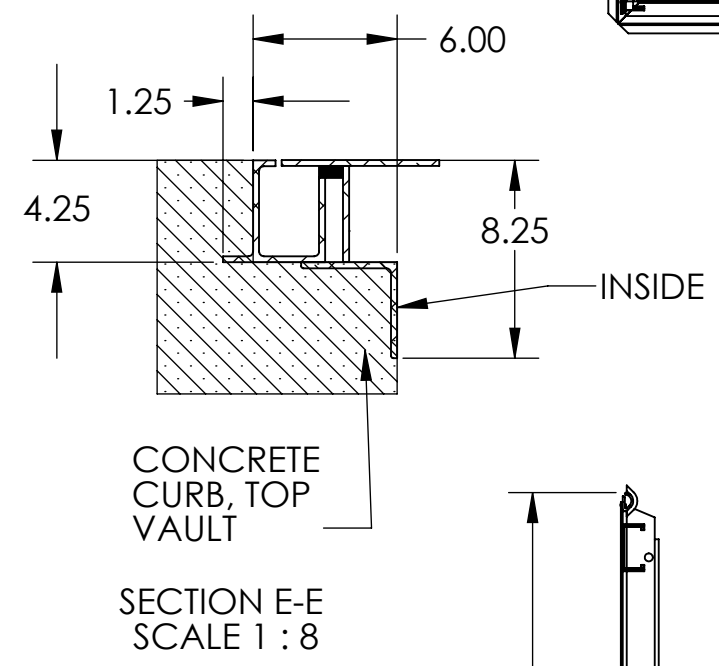
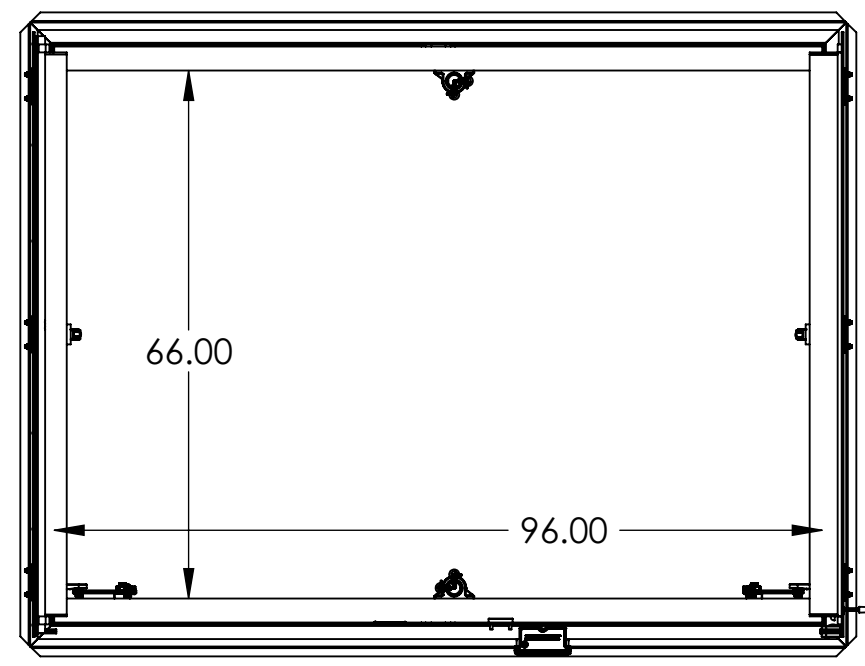
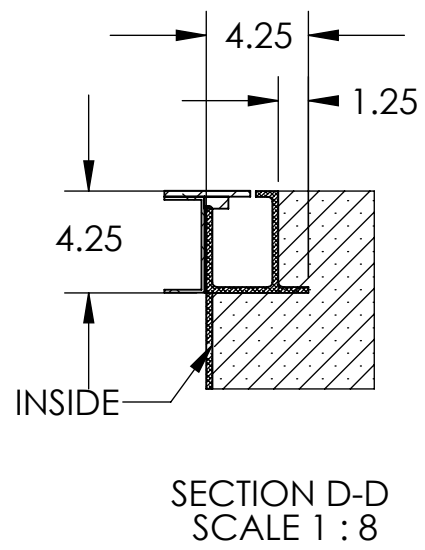
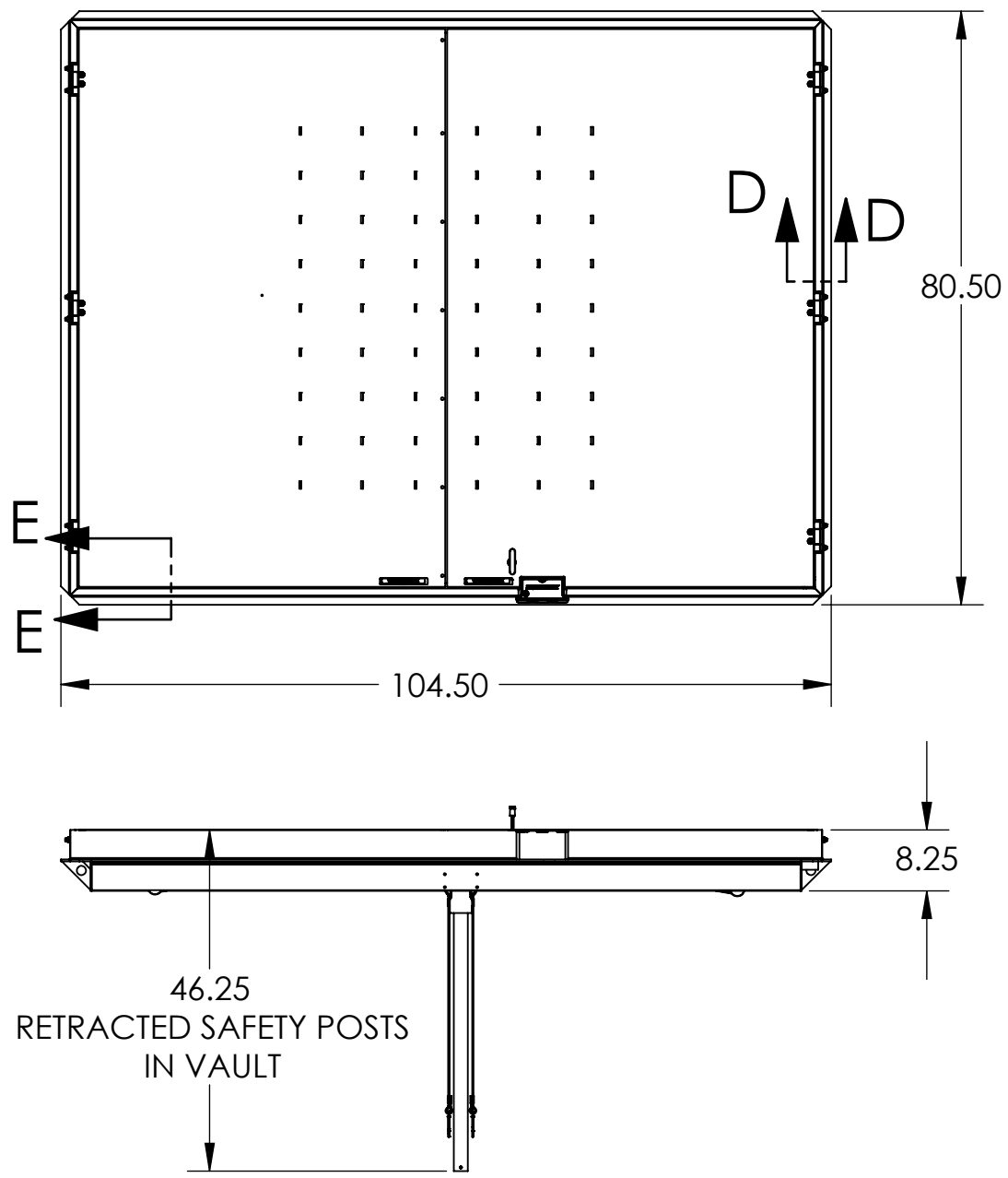


GENERAL SPECIFICATIONS:

1. UNIT IS WEATHER PROOF WITH CONTINUOUS EPDM SEAL ON LID TO FRAME.
2. LID TOP IS FLUSH TO FRAME. FRAME IS CONTINUOUS EXTRUDED CHANNEL.
3. LID IS HINGED ON SIDE WITH TAMPER PROOF SCREWS AND PROVISION FOR A PADLOCK WITH TAMPER PROOF COVER.
4. HATCH IS DESIGNED FOR H20 TRAFFIC LOAD, LOW DENSITY TRAFFIC.
5. DESIGNED TO BE CAST IN CONCRETE CURBING AT TOP OF VAULT.
6. LID IS A 1/4" 6061 ALUMINUM TREAD PLATE. OPTIONAL NON-SLIP COATING.
7. ALL FASTENERS AND HARDWARE ARE 316 STAINLESS STEEL.
8. ONE COAT OF BLACK BITUMINOUS PAINT ON THE INSIDE OF FRAME WHERE IT CONTACTS CURBING CONCRETE.
9. DRAINABLE FRAME, DRAIN FITTING SUPPLIED IN ONE CORNER, PLUMBED BY OTHERS.
10. LIDS ARE HELD OPEN IN A 90 DEGREE POSITION WITH A LOCK OPEN ARMS. ARMS ARE MANUALLY RELEASED TO CLOSE HATCH. A CENTER ASTRAGAL DRAINS TO FRAME FOR ANY LEAKAGE IN THE JOINT OF THE TWO LIDS.
11. GAS SPRING ASSIST ON DOOR MANUFACTURED FROM 316 STAINLESS AND FILLED WITH FOOD GRADE OIL.
12. STAINLESS FLUSH LIFT HANDLES ARE SUPPLIED AND ARE FLUSH WHEN NOT IN USE.
13. SLAM LOCK LATCH IS PROVIDED WITH A TAMPER PROOF PLUG INSTALLED IN LID, COMES WITH A TEE HANDLE TO REMOVE PLUG AND ACTUATE SLAM LOCK.

THIS DOCUMENT CONTAINS PROPRIETARY, TRADE SECRET INFORMATION THAT IS THE PROPERTY OF VERSA STEEL, INC. THE INFORMATION CONTAINED IN THIS DOCUMENT, INCLUDING THE PRINCIPLE OF DESIGN, MAY NOT BE USED OR COPIED, IN WHOLE OR IN PART, WITHOUT THE EXPRESS PRIOR WRITTEN CONSENT OF VERSA STEEL, INC.

G	F	E	D	C	B	A	REV	ISSUED FOR	DATE	BY
VERSA STEEL, INC. 1618 NE FIRST AVENUE PORTLAND, OREGON 97232 (503)287-9822 FAX (503)-287-7483										
DRAWN BY E. BAILIFF										
DATE 2010-11-24										
CHECKED BY										
APPROVED BY										
MATERIAL	Aluminum									
FINISH	Bare									
SHEET TITLE	H20 HATCH ASSEMBLY, DUAL LEAF-66X96									
PART NUMBER	VSH-H20-A-66-96-D-GS									
SUPPLIER	PART NUMBER: VSH-H20-A-66-96-D-GS									
SCALE	1:20									
DRAWING NO.	VSH-H20-A-66-96-D-GS-SPEC									
REVISION NO.	A									
SHEET NO.	1 OF 2									



NOTES:
 PN: VSH-H20-A-66-96-D-GS
 DESC: H20 HATCH ASSEMBLY, DUAL LEAF-66X96
 MATRL: Aluminum
 EST. WT: 564.99
 FINISH: Bare
 NOTE:
 CAD FILE: VSH-H20-A-66-96-D-GS-SPEC

THIS DOCUMENT CONTAINS PROPRIETARY, TRADE SECRET, INFORMATION THAT IS THE PROPERTY OF VERSA STEEL, INC. THE INFORMATION CONTAINED IN THIS DOCUMENT, INCLUDING THE PRINCIPLE OF DESIGN, MAY NOT BE USED OR COPIED, IN WHOLE OR IN PART, WITHOUT THE EXPRESS PRIOR WRITTEN CONSENT OF VERSA STEEL, INC.

MATERIAL		Aluminum
FINISH		Bare
SHEET TITLE		H20 HATCH ASSEMBLY, DUAL LEAF-66X96
PART NUMBER		VSH-H20-A-66-96-D-GS
SUPPLIER		
SCALE		1:24
DRAWING NO.		VSH-H20-A-66-96-D-GS-SPEC
REVISION NO.		A
SHEET NO.		2 OF 2
REV	ISSUED FOR	DATE
G		
F		
E		
D		
C		
B		
A		

VERSA STEEL, INC.
 1618 NE FIRST AVENUE
 PORTLAND, OREGON 97232
 (503)287-9822
 FAX (503)-287-7483

DRAWN BY
 E. BAILIFF
 DATE
 2010-11-24
 CHECKED BY

APPROVED BY

PART NUMBER: VSH-H20-A-66-96-D-GS