



THIS DOCUMENT CONTAINS PROPRIETARY, TRADE SECRET INFORMATION THAT IS THE PROPERTY OF VERSA STEEL, INC. THE INFORMATION CONTAINED IN THIS DOCUMENT, INCLUDING THE PRINCIPLE OF DESIGN, MAY NOT BE USED OR COPIED, IN WHOLE OR IN PART, WITHOUT THE EXPRESS WRITTEN CONSENT OF VERSA STEEL, INC.

REV	ISSUED FOR	DATE	BY
A			
B			
C			
D			
E			
F			
G			

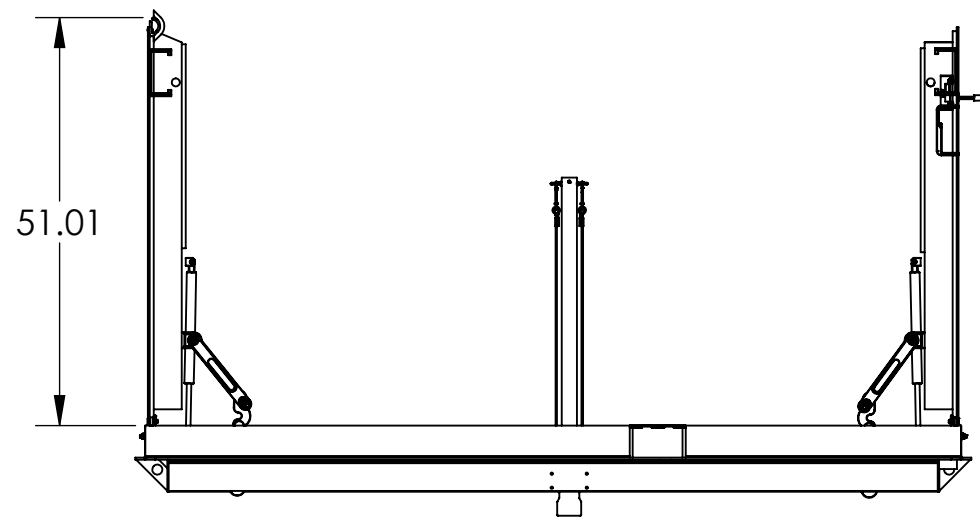
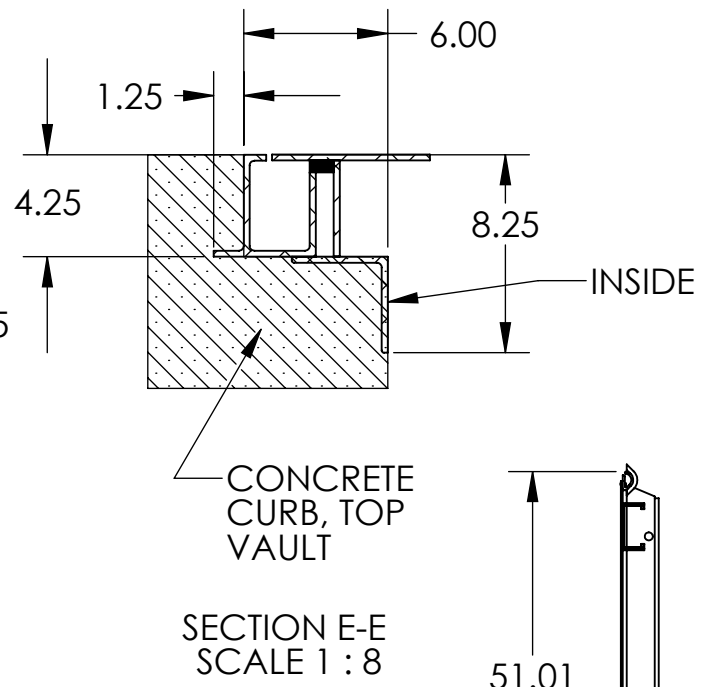
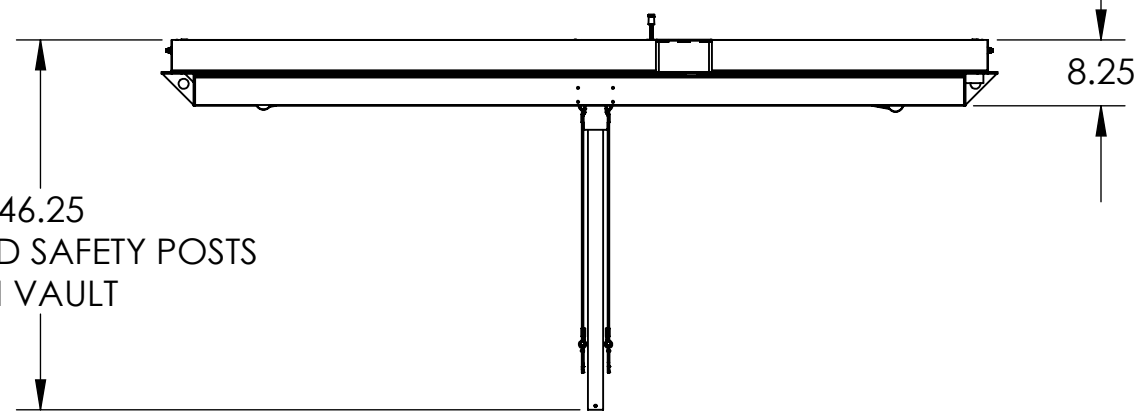
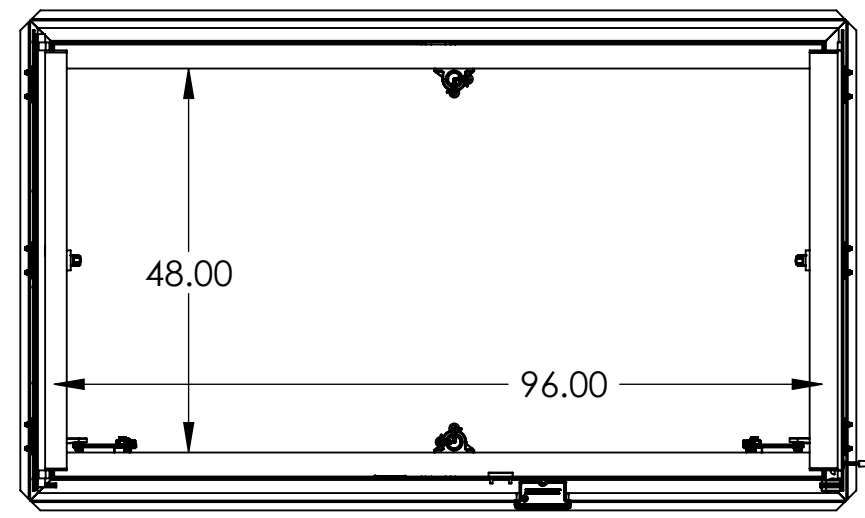
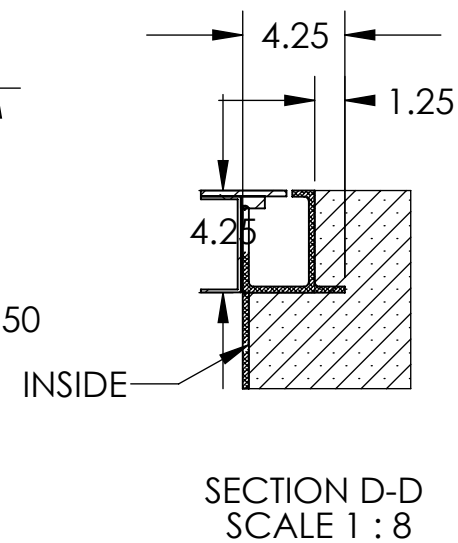
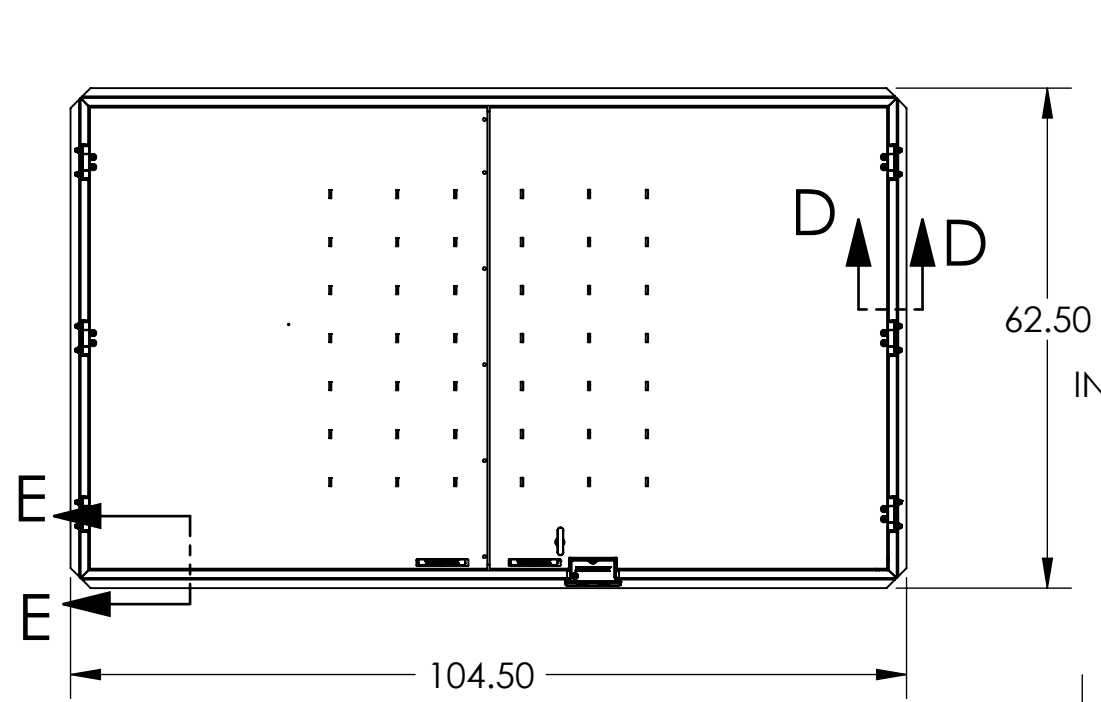
VERSA STEEL, INC.  
 1618 NE FIRST AVENUE  
 PORTLAND, OREGON 97232  
 (503)287-9822  
 FAX (503)-287-7483

DRAWN BY  
 E. BAILIFF  
 DATE  
 2010-11-24  
 CHECKED BY

APPROVED BY

MATERIAL	Aluminum
FINISH	Bare
SHEET TITLE	H20 HATCH ASSEMBLY, DUAL LEAF-48X96
PART NUMBER	VSH-H20-A-48-96-D-GS
SUPPLIER	
PART NUMBER	VSH-H20-A-48-96-D-GS

SCALE  
 1:24  
 DRAWING NO.  
 VSH-H20-A-48-96-D-GS-SPEC  
 REVISION NO.  
 A  
 SHEET NO.  
 2 OF 2



NOTES:  
 PN: VSH-H20-A-48-96-D-GS  
 DESC: H20 HATCH ASSEMBLY, DUAL LEAF-48X96  
 MATRL: Aluminum  
 EST. WT: 440.95  
 FINISH: Bare  
 NOTE:  
 CAD FILE: VSH-H20-A-48-96-D-GS-SPEC