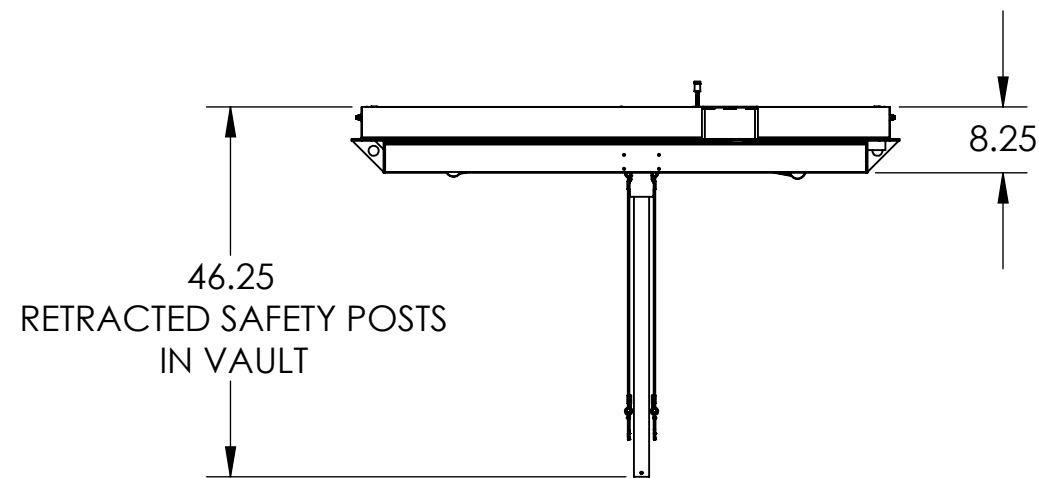
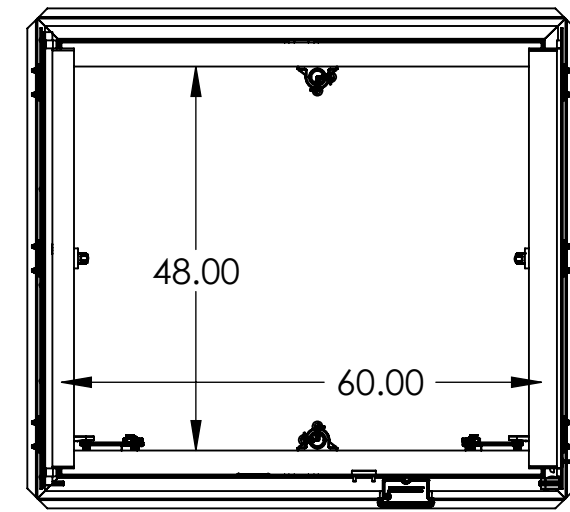
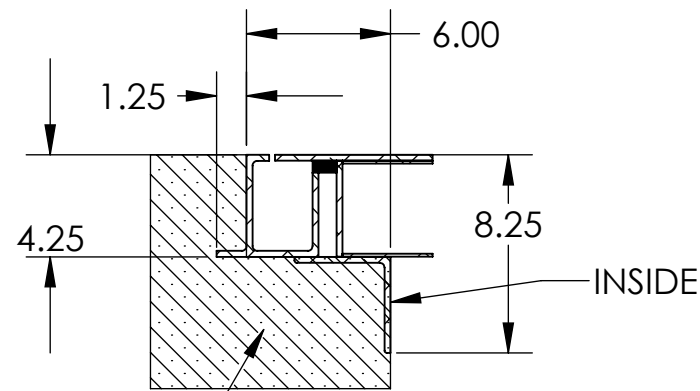


SECTION D-D
SCALE 1 : 8

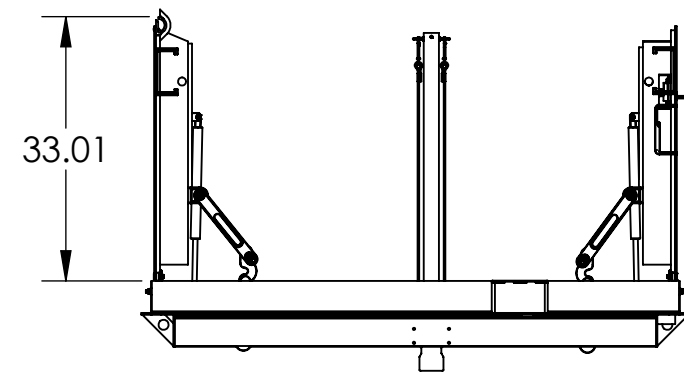


RETRACTED SAFETY POSTS
IN VAULT



CONCRETE
CURB, TOP
VAULT

SECTION E-E
SCALE 1 : 8



NOTES:
 PN: VSH-H20-A-48-60-D-GS
 DESC: H20 HATCH ASSEMBLY, DUAL LEAF-48X60
 MATRL: Aluminum
 EST. WT: 341.73
 FINISH: Bare
 NOTE:
 CAD FILE: VSH-H20-A-48-60-D-GS-SPEC

THIS DOCUMENT CONTAINS PROPRIETARY, TRADE SECRET INFORMATION THAT IS THE PROPERTY OF VERSA STEEL, INC. THE INFORMATION CONTAINED IN THIS DOCUMENT, INCLUDING THE PRINCIPLE OF DESIGN, MAY NOT BE USED OR COPIED, IN WHOLE OR IN PART, WITHOUT THE EXPRESS PRIOR WRITTEN CONSENT OF VERSA STEEL, INC.

VERSATEL, INC.
 1618 NE FIRST AVENUE
 PORTLAND, OREGON 97232
 (503)287-9822
 FAX (503)-287-7483

DRAWN BY
 E. BAILIFF
 DATE
 2010-11-24
 CHECKED BY

APPROVED BY

MATERIAL
 Aluminum
 Finish
 Bare
 SHEET TITLE
 H20 HATCH ASSEMBLY, DUAL LEAF-48X60
 PART NUMBER
 VSH-H20-A-48-60-D-GS
 SUPPLIER
 PART NUMBER: VSH-H20-A-48-60-D-GS

SCALE
 1:24
 DRAWING NO.
 VSH-H20-A-48-60-D-GS-SPEC
 REVISION NO.
 A
 SHEET NO.
 2 OF 2

REV	ISSUED FOR	DATE	BY
G			
F			
E			
D			
C			
B			
A			