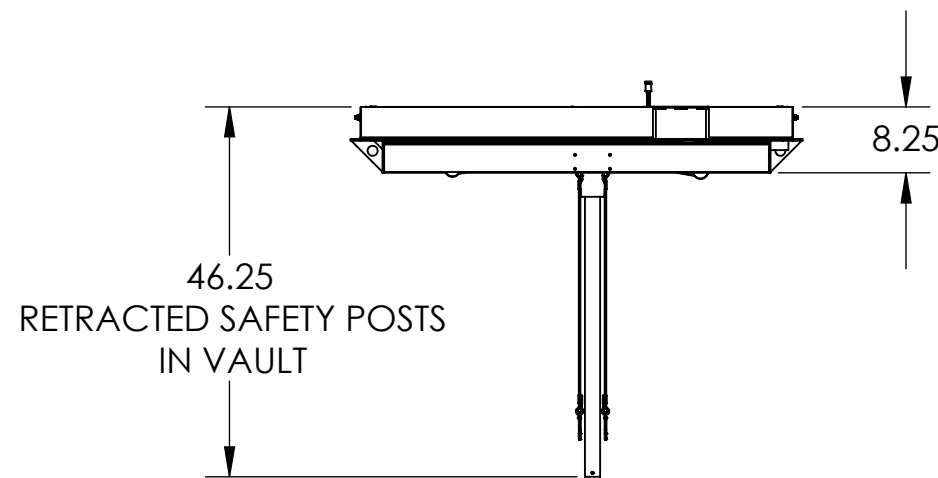
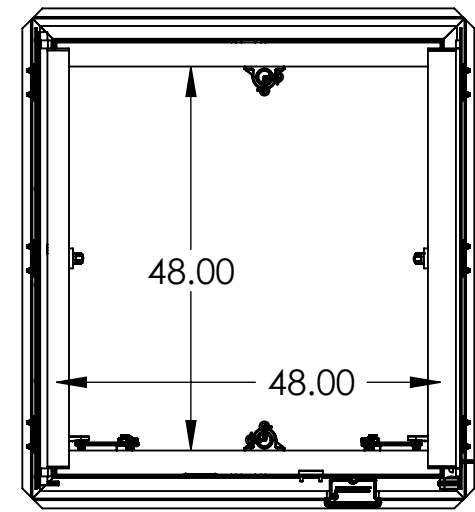
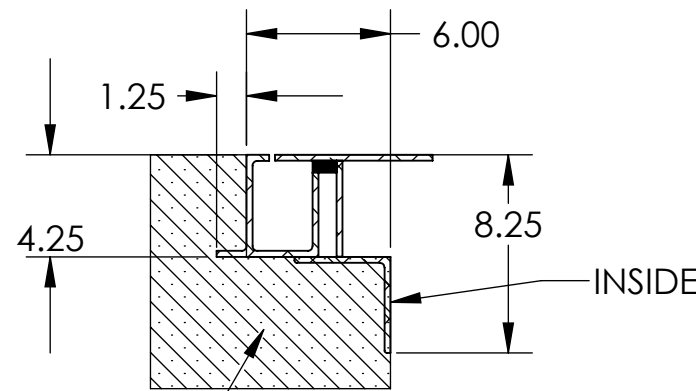


SECTION D-D
SCALE 1 : 8

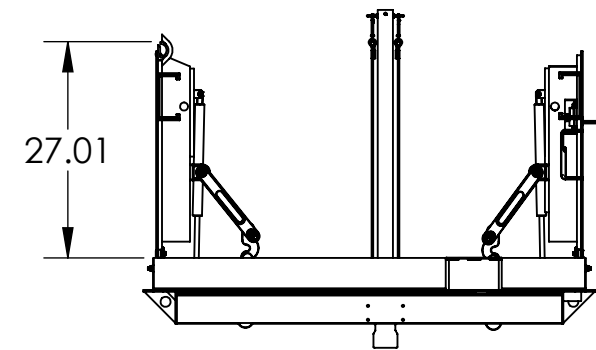


46.25
RETRACTED SAFETY POSTS
IN VAULT



SECTION E-E
SCALE 1 : 8

CONCRETE
CURB, TOP
VAULT



NOTES:
PN: VSH-H20-A-48-48-D-GS
DESC: H20 HATCH ASSEMBLY, DUAL LEAF-48X48
MATRL: Aluminum
EST. WT: 341.73
FINISH: Bare
NOTE:
CAD FILE: VSH-H20-A-48-48-D-GS-SPEC

THIS DOCUMENT CONTAINS PROPRIETARY, TRADE SECRET INFORMATION THAT IS THE PROPERTY OF VERSA STEEL, INC. THE INFORMATION CONTAINED IN THIS DOCUMENT, INCLUDING THE PRINCIPLE OF DESIGN, MAY NOT BE USED OR COPIED, IN WHOLE OR IN PART, WITHOUT THE EXPRESS PRIOR WRITTEN CONSENT OF VERSA STEEL, INC.

VERSA STEEL, INC.
1618 NE FIRST AVENUE
PORTLAND, OREGON 97232
(503)287-9822
FAX (503)-287-7483

DRAWN BY
E. BAILIFF
DATE
2010-11-24
CHECKED BY

APPROVED BY

MATERIAL	Aluminum
FINISH	Bare
SHEET TITLE	H20 HATCH ASSEMBLY, DUAL LEAF-48X48
PART NUMBER	VSH-H20-A-48-48-D-GS
SUPPLIER	

SCALE	1:24
DRAWING NO.	VSH-H20-A-48-48-D-GS-SPEC
REVISION NO.	A
SHEET NO.	2 OF 2

REV	ISSUED FOR	DATE	BY
G			
F			
E			
D			
C			
B			
A			