

VERSA STEEL SPECIFICATION

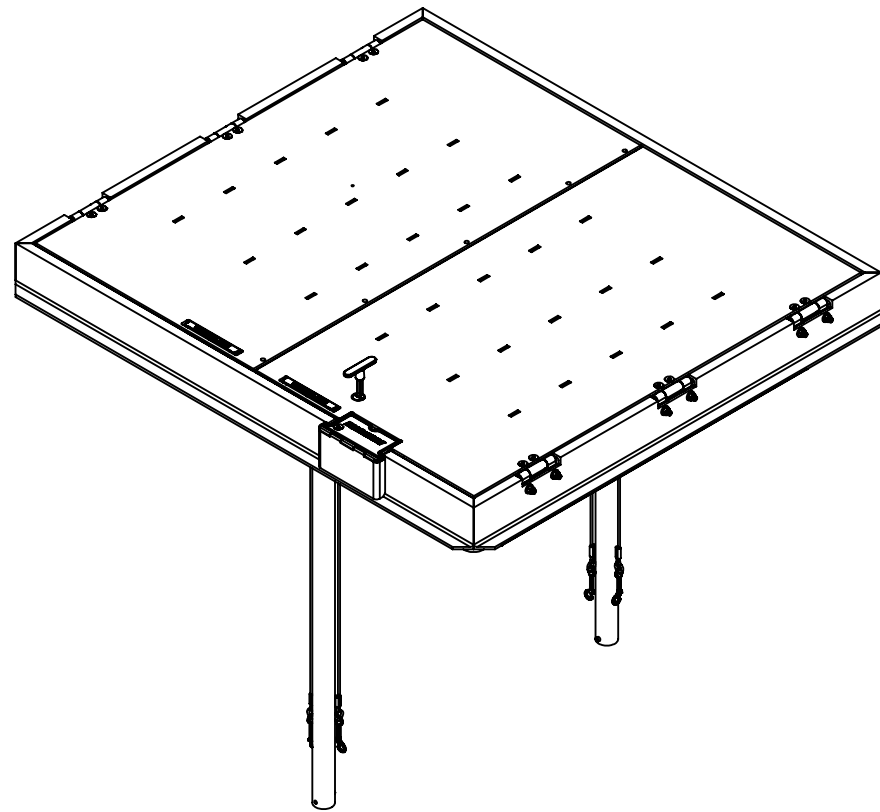
FLOOR, SIDEWALK & STREET
H20 TRAFFIC RATING

H20 HATCH ASSEMBLY, DUAL LEAF-36X48

Assembly No.:VSH-H20-A-36-48-D-GS

ASSEMBLY NO./PART NUMBER KEY:

VSH= VERSA STEEL INC. HATCH
H20 = FLUSH H20 TRAFFIC RATED, CAST IN DRAINABLE FRAME
A= ALUMINUM CONSTRUCTION
36-36= SIZE INTERIOR OPENING
D = DUAL LEAF
GS= GAS SPRING ASSIST

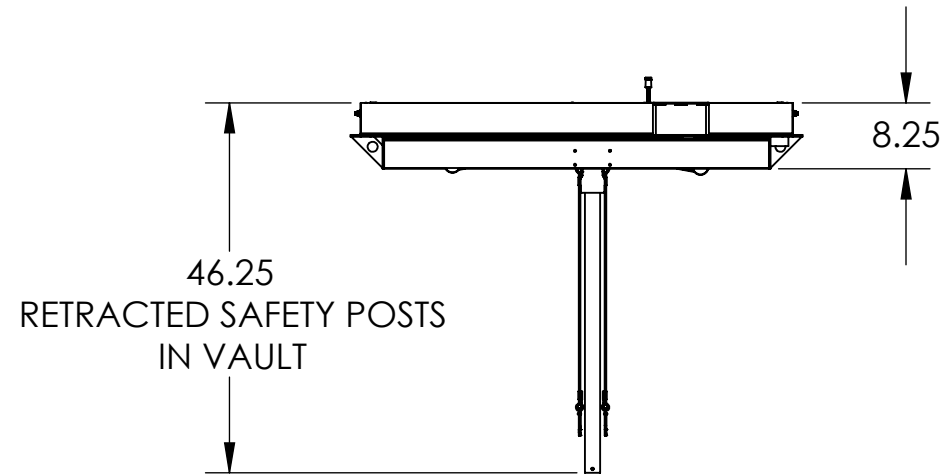
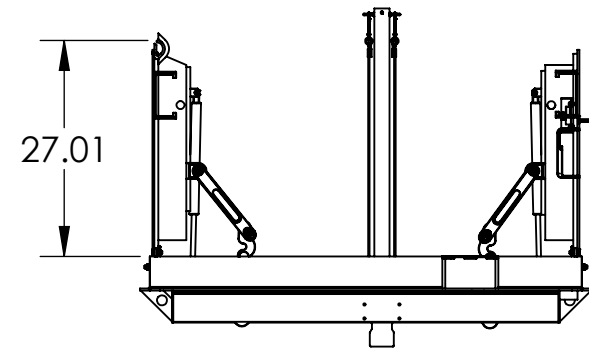
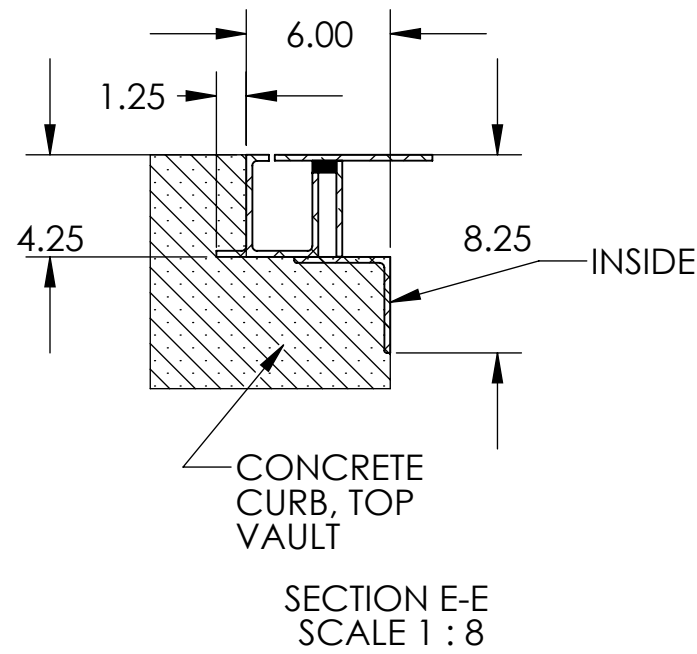
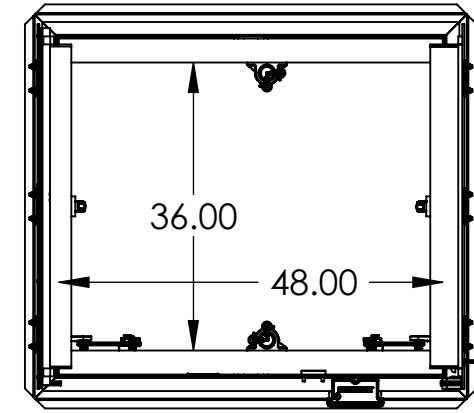
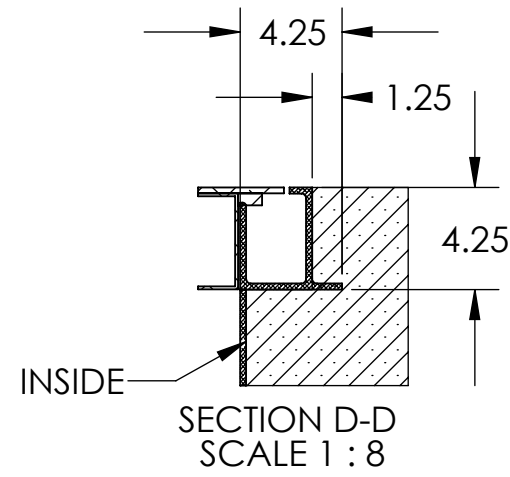
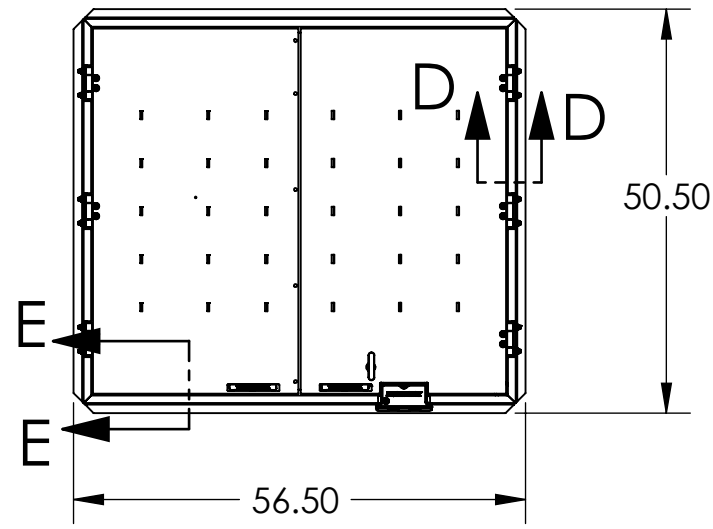


GENERAL SPECIFICATIONS:

- UNIT IS WEATHER PROOF WITH CONTINUOUS EPDM SEAL ON LID TO FRAME.
- LID TOP IS FLUSH TO FRAME. FRAME IS CONTINUOUS EXTRUDED CHANNEL.
- LID IS HINGED ON SIDE WITH TAMPER PROOF SCREWS AND PROVISION FOR A PADLOCK WITH TAMPER PROOF COVER.
- HATCH IS DESIGNED FOR H20 TRAFFIC LOAD, LOW DENSITY TRAFFIC.
- DESIGNED TO BE CAST IN CONCRETE CURBING AT TOP OF VAULT.
- LID IS A 1/4" 6061 ALUMINUM TREAD PLATE. OPTIONAL NON-SLIP COATING.
- ALL FASTENERS AND HARDWARE ARE 316 STAINLESS STEEL.
- ONE COAT OF BLACK BITUMINOUS PAINT ON THE INSIDE OF FRAME WHERE IT CONTACTS CURBING CONCRETE.
- DRAINABLE FRAME, DRAIN FITTING SUPPLIED IN ONE CORNER, PLUMBED BY OTHERS.
- LIDS ARE HELD OPEN IN A 90 DEGREE POSITION WITH A LOCK OPEN ARMS. ARMS ARE MANUALLY RELEASED TO CLOSE HATCH. A CENTER ASTRAGAL DRAINS TO FRAME FOR ANY LEAKAGE IN THE JOINT OF THE TWO LIDS.
- GAS SPRING ASSIST ON DOOR MANUFACTURED FROM 316 STAINLESS AND FILLED WITH FOOD GRADE OIL.
- STAINLESS FLUSH LIFT HANDLES ARE SUPPLIED AND ARE FLUSH WHEN NOT IN USE.
- SLAM LOCK LATCH IS PROVIDED WITH A TAMPER PROOF PLUG INSTALLED IN LID, COMES WITH A TEE HANDLE TO REMOVE PLUG AND ACTUATE SLAM LOCK.

THIS DOCUMENT CONTAINS PROPRIETARY, TRADE SECRET INFORMATION THAT IS THE PROPERTY OF VERSA STEEL, INC. THE INFORMATION CONTAINED IN THIS DOCUMENT, INCLUDING THE PRINCIPLE OF DESIGN, MAY NOT BE USED OR COPIED, IN WHOLE OR IN PART, WITHOUT THE EXPRESS PRIOR WRITTEN CONSENT OF VERSA STEEL, INC.

DRAWN BY E. BAILIFF		VERSAS STEEL, INC. 1618 NE FIRST AVENUE PORTLAND, OREGON 97232 (503)287-9822 FAX (503)-287-7483		REV	DATE	BY
DATE 2010-11-24				A		
CHECKED BY				B		
APPROVED BY				C		
MATERIAL	Aluminum			D		
FINISH	Barre			E		
SHEET TITLE	H20 HATCH ASSEMBLY, DUAL LEAF-36X48			F		
PART NUMBER	VSH-H20-A-36-48-D-GS			G		
SUPPLIER	ERROR!: vendor					
SCALE	1:16					
DRAWING NO.	VSH-H20-A-36-48-D-GS-SPE					
REVISION NO.	A					
SHEET NO.	1					
	OF 2					



NOTES:
 PN: VSH-H20-A-36-48-D-GS
 DESC: H20 HATCH ASSEMBLY, DUAL LEAF-36X48
 MATRL: Aluminum
 EST. WT: 289.13
 FINISH: Bare
 NOTE: ERROR!:note
 CAD FILE: VSH-H20-A-36-48-D-GS-SPEC

THIS DOCUMENT CONTAINS PROPRIETARY, TRADE SECRET INFORMATION THAT IS THE PROPERTY OF VERSA STEEL, INC. THE INFORMATION CONTAINED IN THIS DOCUMENT, INCLUDING THE PRINCIPLE OF DESIGN, MAY NOT BE USED OR COPIED, IN WHOLE OR IN PART, WITHOUT THE EXPRESS PRIOR WRITTEN CONSENT OF VERSA STEEL, INC.

VERSA STEEL, INC.
 1618 NE FIRST AVENUE
 PORTLAND, OREGON 97232
 (503)287-9822
 FAX (503)-287-7483

DRAWN BY
 E. BAILIFF
 DATE
 2010-11-24
 CHECKED BY

APPROVED BY

MATERIAL
 Aluminum
 FINISH
 Bare
 SHEET TITLE
 H20 HATCH ASSEMBLY, DUAL LEAF-36X48
 PART NUMBER: VSH-H20-A-36-48-D-GS

PART NUMBER
 VSH-H20-A-36-48-D-GS
 SUPPLIER
 ERROR!:vendor
 SCALE
 1:24
 DRAWING NO.
 VSH-H20-A-36-48-D-GS-SPEC
 REVISION NO.
 A
 SHEET NO.
 2 OF 2

G	REV	ISSUED FOR	DATE	BY
F				
E				
D				
C				
B				
A				