

# VERSA STEEL SPECIFICATION

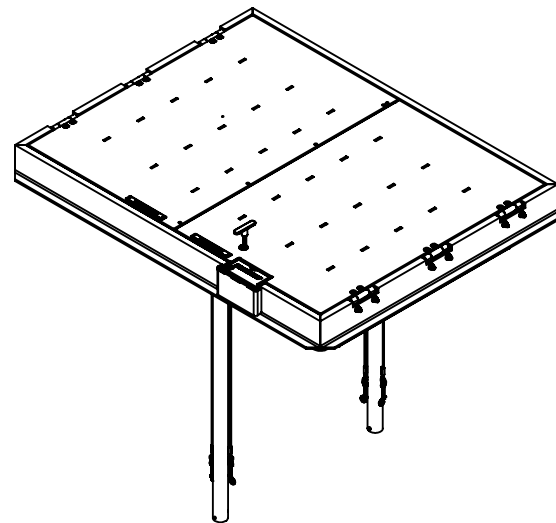
FLOOR, SIDEWALK & STREET  
H20 TRAFFIC RATING

H20 HATCH ASSEMBLY, DUAL LEAF-30X48

Assembly No.:VSH-H20-A-30-48-D-GS

ASSEMBLY NO./PART NUMBER KEY:

VSH= VERSA STEEL INC. HATCH  
H20 = FLUSH H20TRAFFIC RATED, CAST IN DRAINABLE FRAME  
A= ALUMINUM CONSTRUCTION  
36-36= SIZE INTERIOR OPENING  
D = DUAL LEAF  
GS= GAS SPRING ASSIST

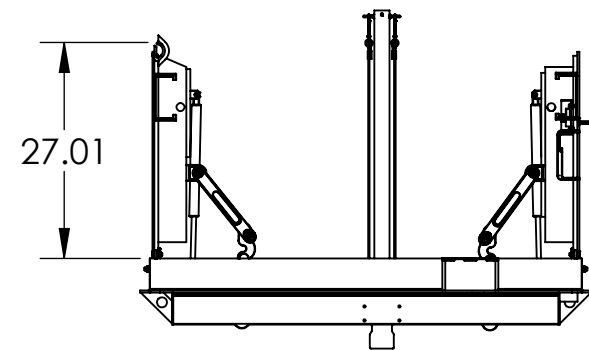
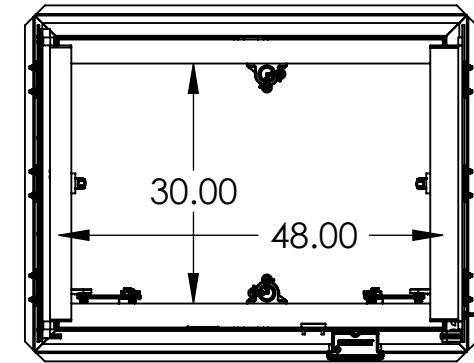
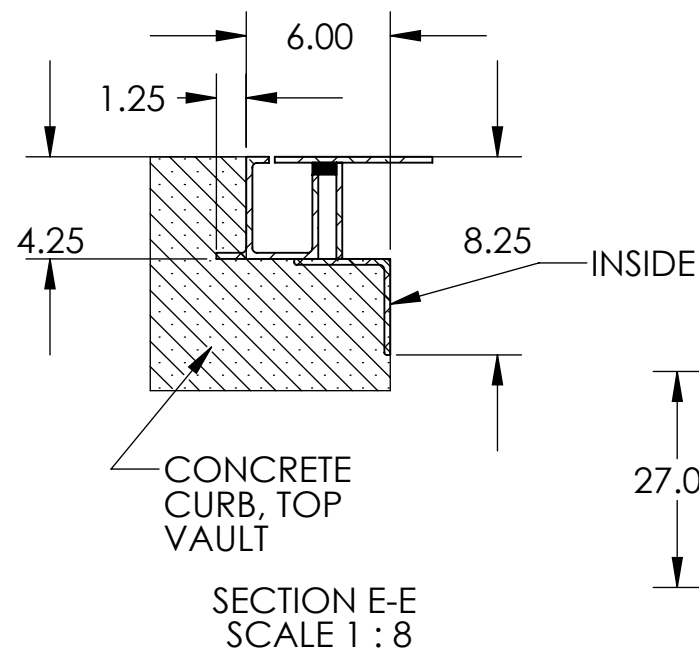
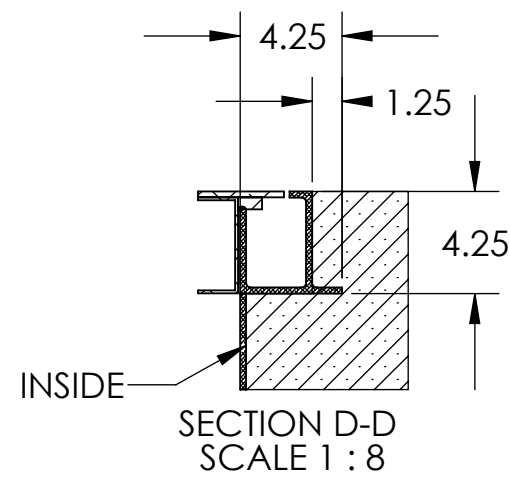
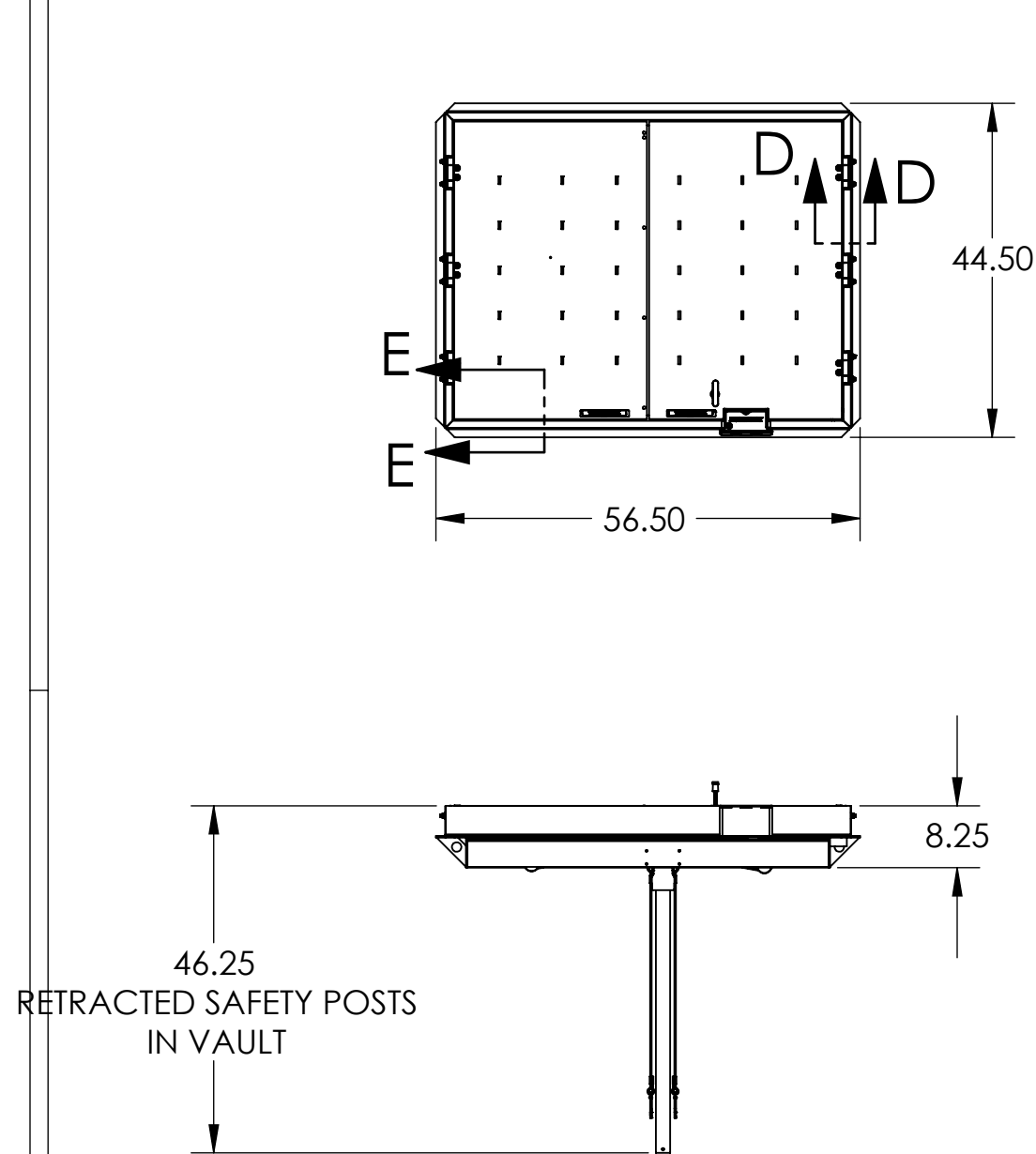


## GENERAL SPECIFICATIONS:

- UNIT IS WEATHER PROOF WITH CONTINOUS EPDM SEAL ON LID TO FRAME.
- LID TOP IS FLUSH TO FRAME. FRAME IS CONTINOUS EXTRUDED CHANNEL.
- LID IS HINGED ON SIDE WITH TAMPER PROOF SCREWS AND PROVISION FOR A PADLOCK WITH TAMPER PROOF COVER.
- HATCH IS DESIGNED FOR H20 TRAFFIC LOAD, LOW DENSITY TRAFFIC.
- DESIGNED TO BE CAST IN CONCRETE CURBING AT TOP OF VAULT.
- LID IS A 1/4" 6061 ALUMINUM TREAD PLATE. OPTIONAL NON-SLIP COATING.
- ALL FASTENERS AND HARDWARE ARE 316 STAINLESS STEEL.
- ONE COAT OF BLACK BITUMINOUS PAINT ON THE INSIDE OF FRAME WHERE IT CONTACTS CURBING CONCRETE.
- DRAINABLE FRAME, DRAIN FITTING SUPPLIED IN ONE CORNER, PLUMBED BY OTHERS.
- LIDS ARE HELD OPEN IN A 90 DEGREE POSITION WITH A LOCK OPEN ARMS. ARMS ARE MANUALLY RELEASED TO CLOSE HATCH. A CENTER ASTRAGAL DRAINS TO FRAME FOR ANY LEAKAGE IN THE JOINT OF THE TWO LIDS.
- GAS SPRING ASSIST ON DOOR MANUFACTURED FROM 316 STAINLESS AND FILLED WITH FOOD GRADE OIL.
- STAINLESS FLUSH LIFT HANDLES ARE SUPPLIED AND ARE FLUSH WHEN NOT IN USE.
- SLAM LOCK LATCH IS PROVIDED WITH A TAMPER PROOF PLUG INSTALLED IN LID, COMES WITH A TEE HANDLE TO REMOVE PLUG AND ACTUATE SLAM LOCK.

THIS DOCUMENT CONTAINS PROPRIETARY, TRADE SECRET, INFORMATION THAT IS THE PROPERTY OF VERSA STEEL, INC. THE INFORMATION CONTAINED IN THIS DOCUMENT, INCLUDING THE PRINCIPLE OF DESIGN, MAY NOT BE USED OR COPIED, IN WHOLE OR IN PART, WITHOUT THE EXPRESS PRIOR WRITTEN CONSENT OF VERSA STEEL, INC.

VERSA STEEL, INC. 1618 NE FIRST AVENUE PORTLAND, OREGON 97232 (503)287-9822 FAX (503)-287-7483		G F E D C B A REV ISSUED FOR DATE BY
DRAWN BY		E. BAILIFF
DATE		2010-11-24
CHECKED BY		
APPROVED BY		
MATERIAL	Aluminum	
FINISH	Barre	
SHEET TITLE	H20 HATCH ASSEMBLY, DUAL LEAF-30X48	
PART NUMBER	VSH-H20-A-30-48-D-GS	
SUPPLIER	ERROR!:vendor	
SCALE	1:24	
DRAWING NO.	VSH-H20-A-30-48-D-GS-SPE	
REVISION NO.	A	
SHEET NO.	1 OF 2	



NOTES:  
 PN: VSH-H20-A-30-48-D-GS  
 DESC: H20 HATCH ASSEMBLY, DUAL LEAF-30X48  
 MATRL: Aluminum  
 EST. WT: 261.52  
 FINISH: Bare  
 NOTE: ERROR!:note  
 CAD FILE: VSH-H20-A-30-48-D-GS-SPEC

THIS DOCUMENT CONTAINS PROPRIETARY, TRADE SECRET, INFORMATION THAT IS THE PROPERTY OF VERSA STEEL, INC. THE INFORMATION CONTAINED IN THIS DOCUMENT, INCLUDING THE PRINCIPLE OF DESIGN, MAY NOT BE USED OR COPIED, IN WHOLE OR IN PART, WITHOUT THE EXPRESS PRIOR WRITTEN CONSENT OF VERSA STEEL, INC.

MATERIAL	Aluminum		
FINISH	Bare		
SHEET TITLE	H20 HATCH ASSEMBLY, DUAL LEAF-30X48		
PART NUMBER	VSH-H20-A-30-48-D-GS		
SUPPLIER	ERROR!:vendor		
SCALE	1:24		
DRAWING NO.	VSH-H20-A-30-48-D-GS-SPEC		
REVISION NO.	A		
SHEET NO.	2 OF 2		
REV	A	ISSUED FOR	BY
G			
F			
E			
D			
C			
B			
A			

VERSA STEEL, INC.  
 1618 NE FIRST AVENUE  
 PORTLAND, OREGON 97232  
 (503)287-9822  
 FAX (503)-287-7483

DRAWN BY  
 E. BAILIFF  
 DATE  
 2010-11-24  
 CHECKED BY

APPROVED BY

PART NUMBER: VSH-H20-A-30-48-D-GS