

VERSA STEEL SPECIFICATION

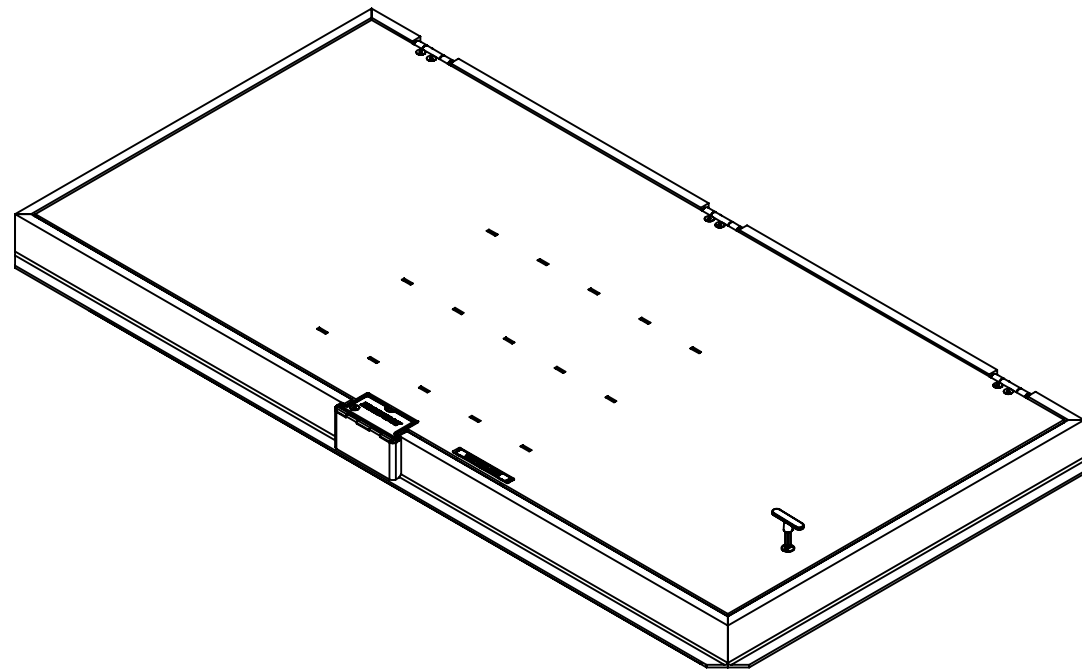
FLOOR, SIDEWALK & STREET
H20 TRAFFIC RATING

H20 HATCH ASSEMBLY, SINGLE LEAF-72 X 36

Assembly No.:VSH-H20-A-72-36-S-GS

ASSEMBLY NO./PART NUMBER KEY:

VSH= VERSA STEEL INC. HATCH
H20 = FLUSH H20 TRAFFIC RATED RATED, CAST IN DRAINABLE FRAME
A= ALUMINUM CONSTRUCTION
42-42= SIZE INTERIOR OPENING
S = SINGLE LEAF
GS= GAS SPRING ASSIST

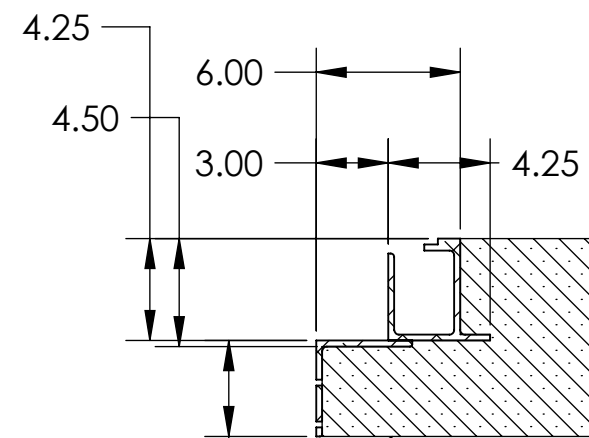
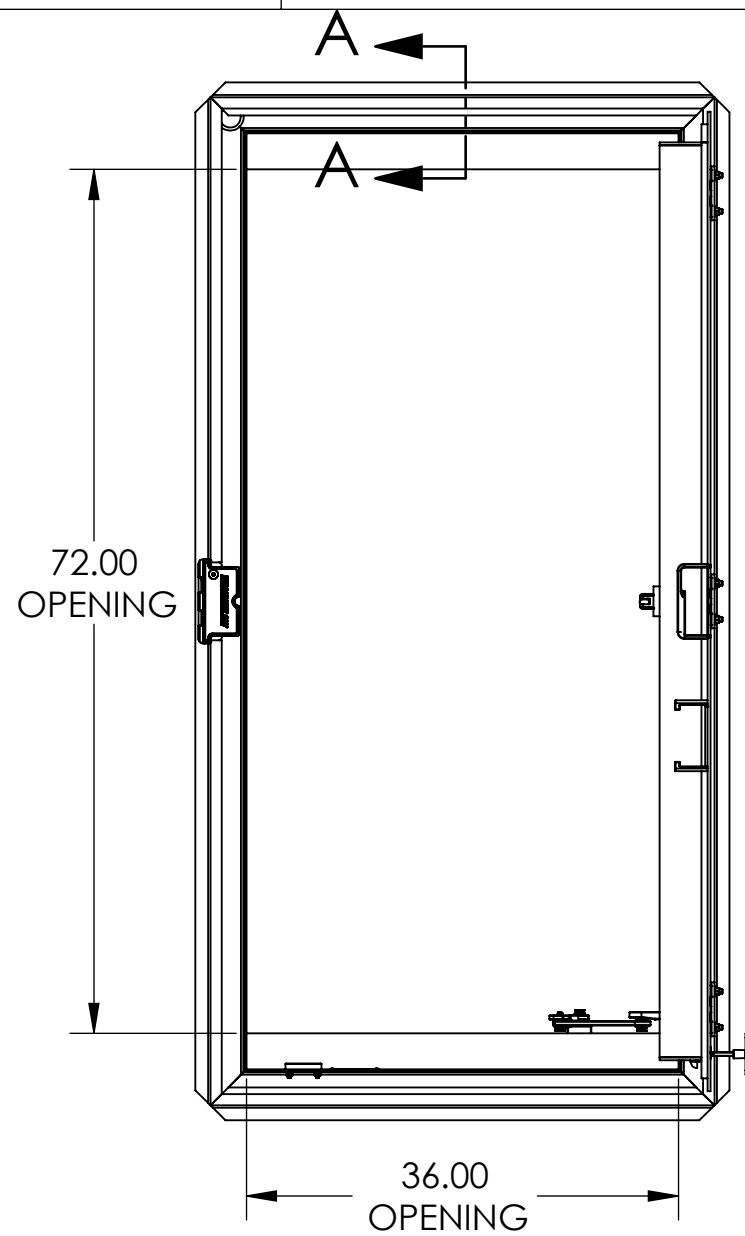
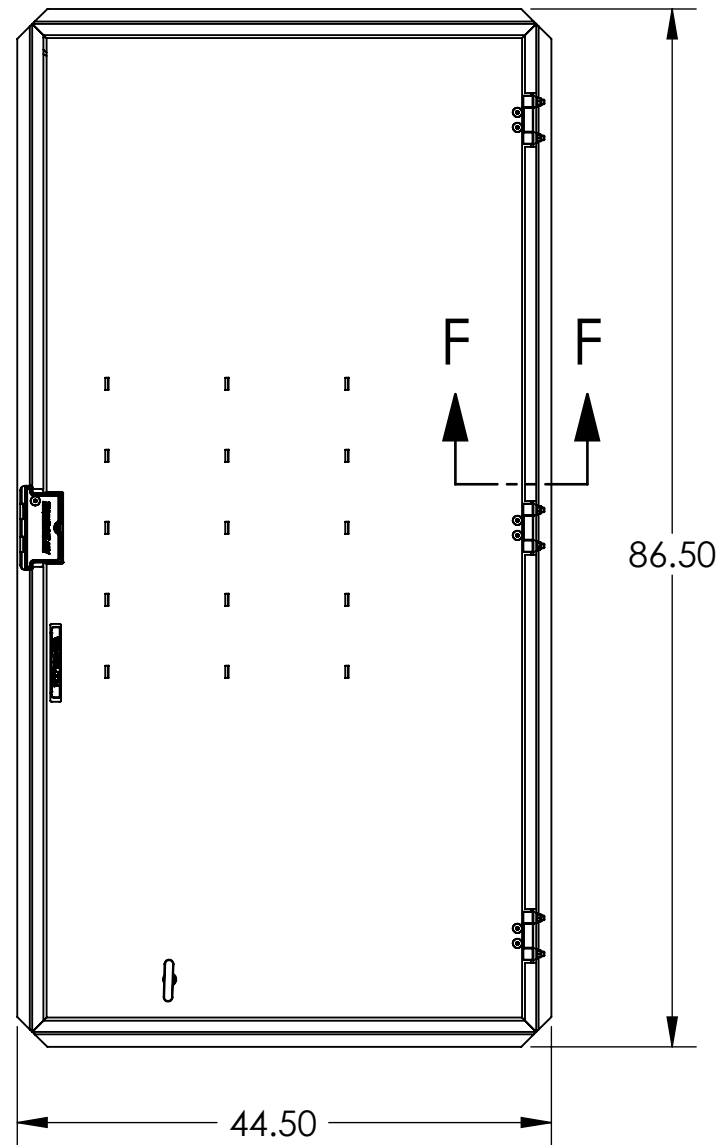


GENERAL SPECIFICATIONS:

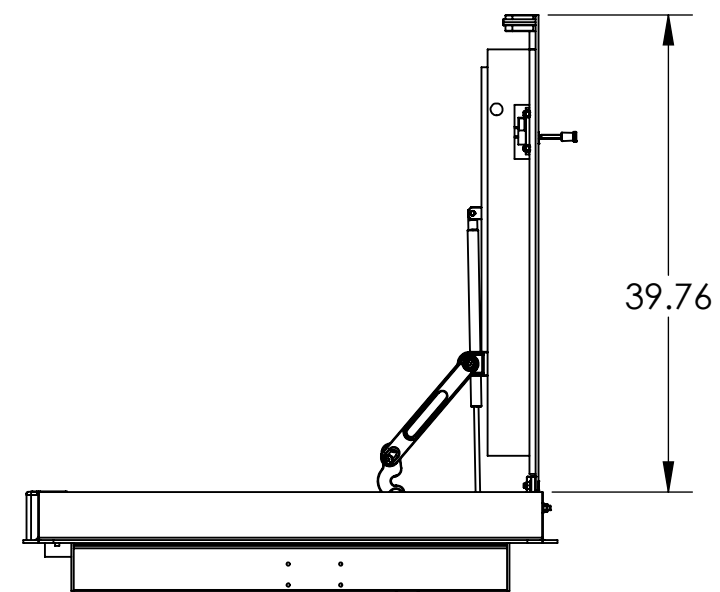
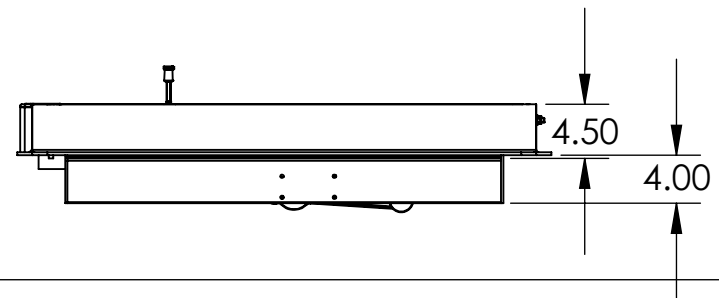
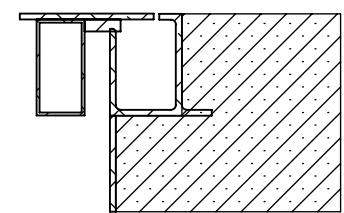
- UNIT IS WEATHER PROOF WITH CONTINUOUS EPDM SEAL ON LID TO FRAME.
- LID TOP IS FLUSH TO FRAME. FRAME IS CONTINUOUS EXTRUDED CHANNEL.
- LID IS HINGED ON SIDE WITH TAMPER PROOF SCREWS AND PROVISION FOR A PADLOCK WITH TAMPER PROOF COVER.
- HATCH IS DESIGNED FOR H20 TRAFFIC LOAD, LOW DENSITY TRAFFIC.
- DESIGNED TO BE CAST IN CONCRETE CURBING AT TOP OF VAULT.
- LID IS A 1/4" 6061 ALUMINUM TREAD PLATE. OPTIONAL NON-SLIP COATING.
- ALL FASTENERS AND HARDWARE ARE 316 STAINLESS STEEL.
- ONE COAT OF BLACK BITUMINOUS PAINT ON THE INSIDE OF FRAME WHERE IT CONTACTS CURBING CONCRETE.
- DRAINABLE FRAME, DRAIN FITTING SUPPLIED IN ONE CORNER, PLUMBED BY OTHERS.
- LIDS ARE HELD OPEN IN A 90 DEGREE POSITION WITH A LOCK OPEN ARMS. ARMS ARE MANUALLY RELEASED TO CLOSE HATCH. A CENTER ASTRAGAL DRAINS TO FRAME FOR ANY LEAKAGE IN THE JOINT OF THE TWO LIDS.
- GAS SPRING ASSIST ON DOOR MANUFACTURED FROM 316 STAINLESS AND FILLED WITH FOOD GRADE OIL.
- STAINLESS FLUSH LIFT HANDLES ARE SUPPLIED AND ARE FLUSH WHEN NOT IN USE.
- SLAM LOCK LATCH IS PROVIDED WITH A TAMPER PROOF PLUG INSTALLED IN LID, COMES WITH A TEE HANDLE TO REMOVE PLUG AND ACTUATE SLAM LOCK.

THIS DOCUMENT CONTAINS PROPRIETARY, TRADE SECRET, INFORMATION THAT IS THE PROPERTY OF VERSA STEEL, INC. THE INFORMATION CONTAINED IN THIS DOCUMENT, INCLUDING THE PRINCIPLE OF DESIGN, MAY NOT BE USED OR COPIED, IN WHOLE OR IN PART, WITHOUT THE EXPRESS PRIOR WRITTEN CONSENT OF VERSA STEEL, INC.

DRAWN BY E. BAILIFF		VERSAS STEEL, INC. 1618 NE FIRST AVENUE PORTLAND, OREGON 97232 (503)287-9822 FAX (503)-287-7483		ISSUED FOR	BY
DATE 2010-11-24				REV	DATE
CHECKED BY				A	
APPROVED BY				B	
PART NUMBER VSH-H20-A-72-36-S-GS		H20 HATCH ASSEMBLY, SINGLE LEAF-72 X 36		C	
SUPPLIER ERROR!: vendor		PART NUMBER: VSH-H20-A-72-36-S-GS		D	
SCALE 1:16				E	
DRAWING NO. VSH-H20-A-72-36-S-SPEC				F	
REVISION NO. B				G	
SHEET NO. 1 OF 2					



TOP OF VAULT OR OPENING
FRAME IS CAST INTO CONCRETE,
USE VIBRATION TO FILL WELL.



NOTES:
 PN: VSH-H20-A-72-36-S-GS
 DESC: H20 HATCH ASSEMBLY,SINGLE LEAF-72 X 36
 MATRL: Aluminum
 EST. WT: 123.67
 FINISH: Bare
 NOTE: ERROR!:note
 CAD FILE: VSH-H20-A-72-36-S-SPEC

THIS DOCUMENT CONTAINS PROPRIETARY, TRADE SECRET INFORMATION THAT IS THE PROPERTY OF VERSA STEEL, INC. THE INFORMATION CONTAINED IN THIS DOCUMENT, INCLUDING THE PRINCIPLE OF DESIGN, MAY NOT BE USED OR COPIED, IN WHOLE OR IN PART, WITHOUT THE EXPRESS PRIOR WRITTEN CONSENT OF VERSA STEEL, INC.

DRAWN BY E. BAILIFF		VERSAL STEEL, INC. 1618 NE FIRST AVENUE PORTLAND, OREGON 97232 (503)287-9822 FAX (503)-287-7483		ISSUED FOR	BY
DATE 2010-11-24		G		DATE	
CHECKED BY		F			
APPROVED BY		E			
MATERIAL Aluminum		D			
FINISH Bare		C			
SHEET TITLE H20 HATCH ASSEMBLY,SINGLE LEAF-72 X 36		B			
PART NUMBER VSH-H20-A-72-36-S-GS		A			
SUPPLIER ERROR!:vendor		REV			
SCALE 1:16		PART NUMBER: VSH-H20-A-72-36-S-GS			
DRAWING NO. VSH-H20-A-72-36-S-SPEC		REVISION NO.			
REVISION NO. B		SHEET NO.			
SHEET NO. 2 OF 2					