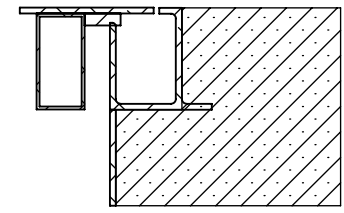
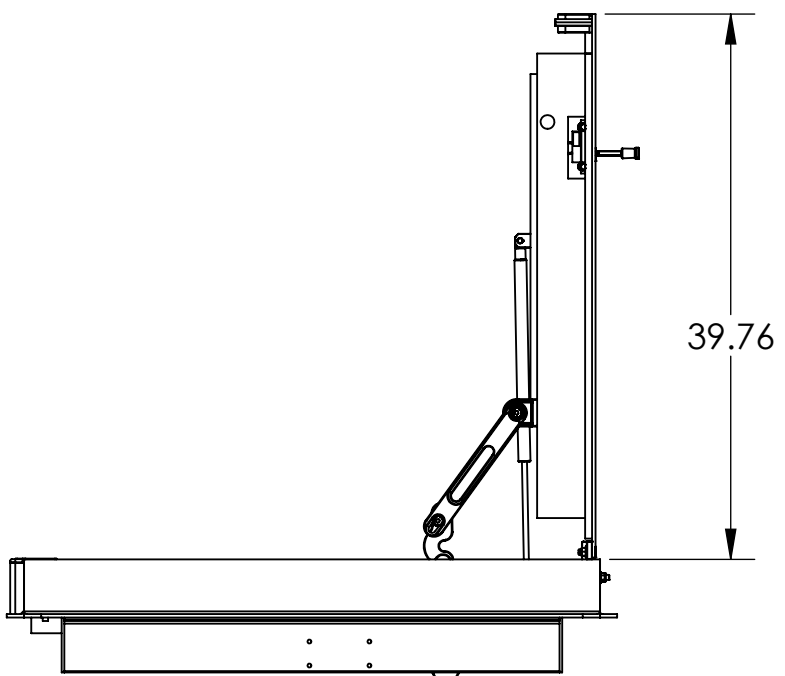
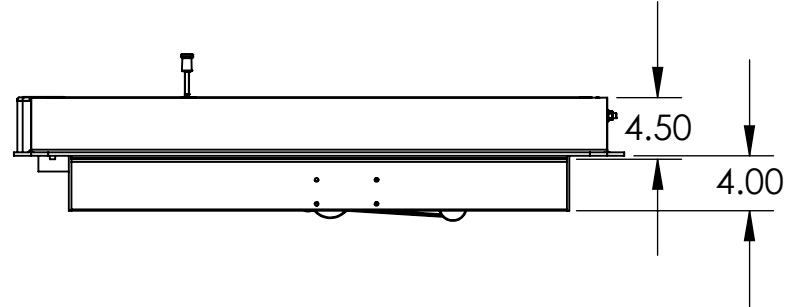


TOP OF VAULT OR OPENING  
FRAME IS CAST INTO CONCRETE,  
USE VIBRATION TO FILL WELL.



SECTION F-F  
SCALE 1 : 8



NOTES:  
 PN: VSH-H20-A-24-36-S-GS  
 DESC: H20 HATCH ASSEMBLY,SINGLE LEAF-24 X 36  
 MATRL: Aluminum  
 EST. WT: 123.67  
 FINISH: Bare  
 NOTE: ERROR!:note  
 CAD FILE: VSH-H20-A-24-36-S-SPEC

THIS DOCUMENT CONTAINS PROPRIETARY, TRADE SECRET INFORMATION THAT IS THE PROPERTY OF VERSA STEEL, INC. THE INFORMATION CONTAINED IN THIS DOCUMENT, INCLUDING THE PRINCIPLE OF DESIGN, MAY NOT BE USED OR COPIED, IN WHOLE OR IN PART, WITHOUT THE EXPRESS PRIOR WRITTEN CONSENT OF VERSA STEEL, INC.

REV	DATE	ISSUED FOR	BY
G			
F			
E			
D			
C			
B			
A			

VERSA STEEL, INC.  
 1618 NE FIRST AVENUE  
 PORTLAND, OREGON 97232  
 (503)287-9822  
 FAX (503)-287-7483

DRAWN BY  
 E.BAILIFF

DATE  
 2010-11-24

CHECKED BY

APPROVED BY

MATERIAL	Aluminum
FINISH	Bare
SHEET TITLE	H20 HATCH ASSEMBLY,SINGLE LEAF-24 X 36
PART NUMBER	VSH-H20-A-24-36-S-GS
SUPPLIER	ERROR!:vendor
SCALE	1:14
DRAWING NO.	VSH-H20-A-24-36-S-SPEC
REVISION NO.	B
PART NUMBER:	VSH-H20-A-24-36-S-GS

SHEET NO.  
 2 OF 2