

VERSA STEEL SPECIFICATION

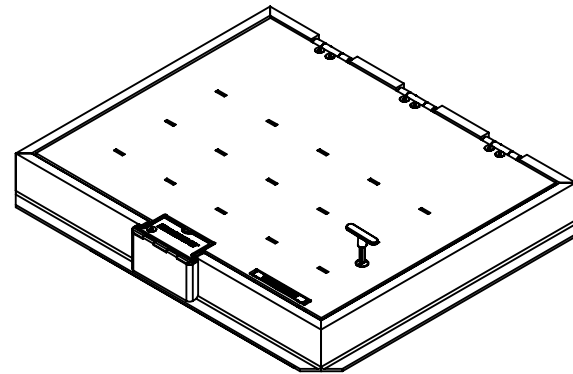
FLOOR, SIDEWALK & STREET
H2O TRAFFIC RATING

H2O HATCH ASSEMBLY, SINGLE LEAF-24 X 24

Assembly No.:VSH-H20-A-24-24-S-GS

ASSEMBLY NO./PART NUMBER KEY:

VSH= VERSA STEEL INC. HATCH
H20 = FLUSH H2O TRAFFIC RATED RATED, CAST IN DRAINABLE FRAME
A= ALUMINUM CONSTRUCTION
42-42= SIZE INTERIOR OPENING
S = SINGLE LEAF
GS= GAS SPRING ASSIST

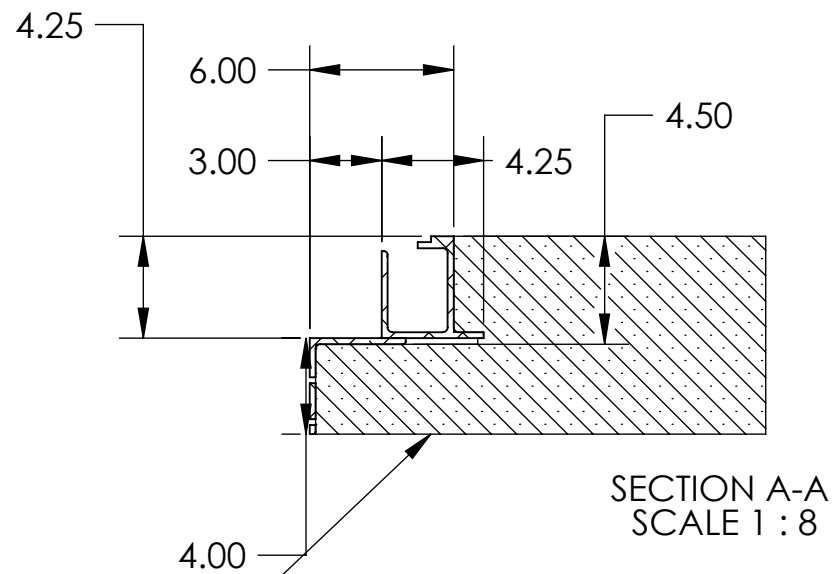
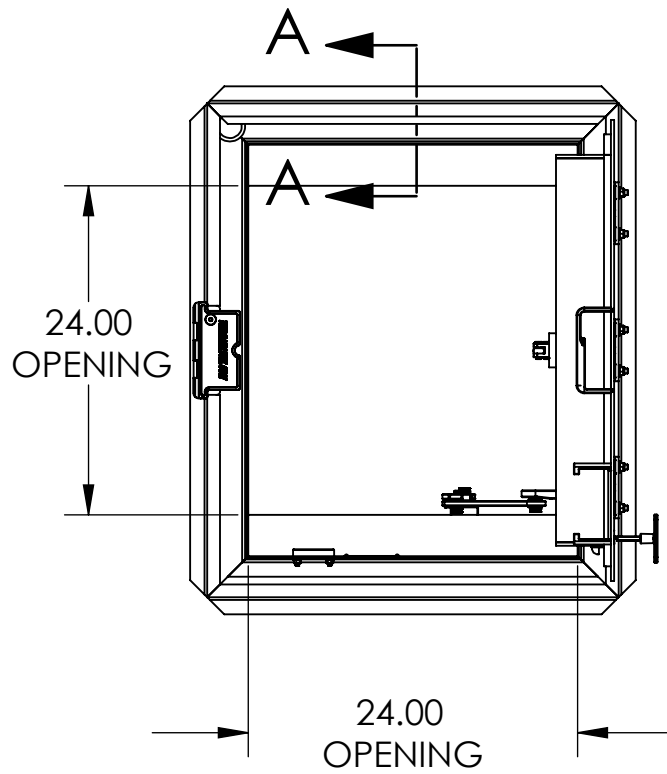
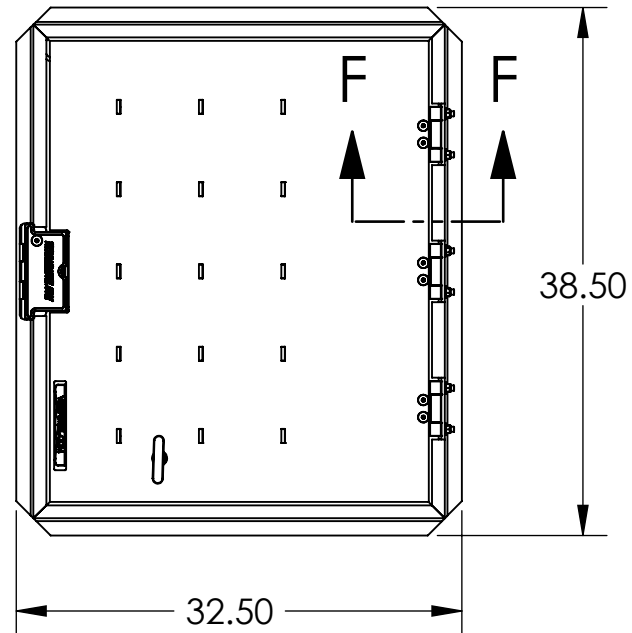


GENERAL SPECIFICATIONS:

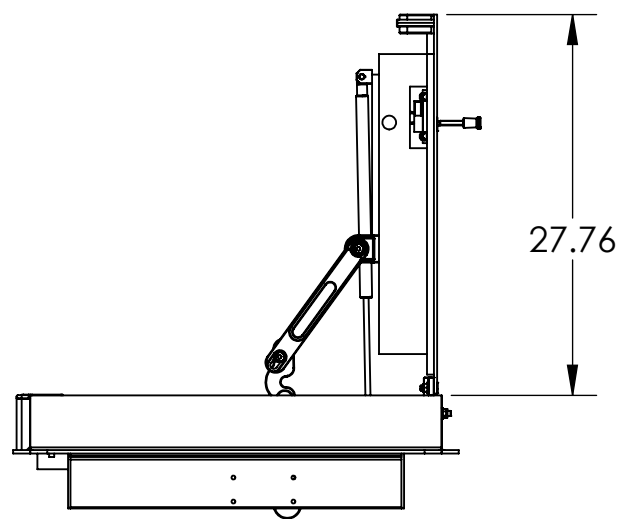
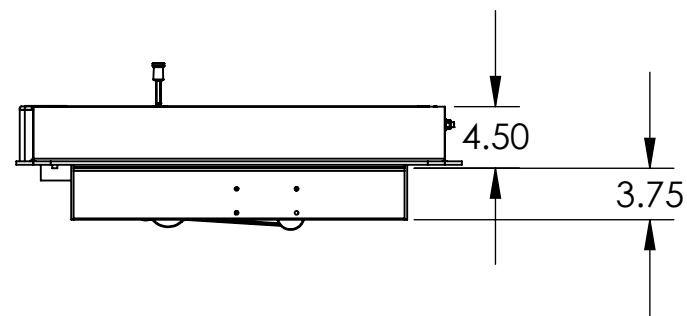
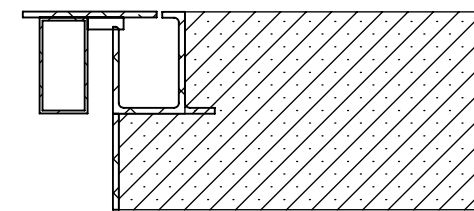
1. UNIT IS WEATHER PROOF WITH CONTINUOUS EPDM SEAL ON LID TO FRAME.
2. LID TOP IS FLUSH TO FRAME. FRAME IS CONTINUOUS EXTRUDED CHANNEL.
3. LID IS HINGED ON SIDE WITH TAMPER PROOF SCREWS AND PROVISION FOR A PADLOCK WITH TAMPER PROOF COVER.
4. HATCH IS DESIGNED FOR H2O TRAFFIC LOAD, LOW DENSITY TRAFFIC.
5. DESIGNED TO BE CAST IN CONCRETE CURBING AT TOP OF VAULT.
6. LID IS A 1/4" 6061 ALUMINUM TREAD PLATE. OPTIONAL NON-SLIP COATING.
7. ALL FASTENERS AND HARDWARE ARE 316 STAINLESS STEEL.
8. ONE COAT OF BLACK BITUMINOUS PAINT ON THE INSIDE OF FRAME WHERE IT CONTACTS CURBING CONCRETE.
9. DRAINABLE FRAME, DRAIN FITTING SUPPLIED IN ONE CORNER, PLUMBED BY OTHERS.
10. LIDS ARE HELD OPEN IN A 90 DEGREE POSITION WITH A LOCK OPEN ARMS. ARMS ARE MANUALLY RELEASED TO CLOSE HATCH. A CENTER ASTRAGAL DRAINS TO FRAME FOR ANY LEAKAGE IN THE JOINT OF THE TWO LIDS.
11. GAS SPRING ASSIST ON DOOR MANUFACTURED FROM 316 STAINLESS AND FILLED WITH FOOD GRADE OIL.
12. STAINLESS FLUSH LIFT HANDLES ARE SUPPLIED AND ARE FLUSH WHEN NOT IN USE.
13. SLAM LOCK LATCH IS PROVIDED WITH A TAMPER PROOF PLUG INSTALLED IN LID, COMES WITH A TEE HANDLE TO REMOVE PLUG AND ACTUATE SLAM LOCK.

THIS DOCUMENT CONTAINS PROPRIETARY, TRADE SECRET INFORMATION THAT IS THE PROPERTY OF VERSA STEEL, INC. THE INFORMATION CONTAINED IN THIS DOCUMENT, INCLUDING THE PRINCIPLE OF DESIGN, MAY NOT BE USED OR COPIED, IN WHOLE OR IN PART, WITHOUT THE EXPRESS PRIOR WRITTEN CONSENT OF VERSA STEEL, INC.

G	F	E	D	C	B	A	REV	ISSUED FOR	DATE	BY
<p>VERSA STEEL, INC. 1618 NE FIRST AVENUE PORTLAND, OREGON 97232 (503)287-9822 FAX (503)-287-7483</p>										
DRAWN BY E. BAILIFF										
DATE 2010-11-24										
CHECKED BY										
APPROVED BY										
MATERIAL	Aluminum									
FINISH	Barre									
SHEET TITLE	H2O HATCH ASSEMBLY, SINGLE LEAF-24 X 24									
PART NUMBER	VSH-H20-A-24-24-S-GS									
SUPPLIER	ERROR!: vendor									
SCALE	1:16									
DRAWING NO.	VSH-H20-A-24-24-S-SPEC									
REVISION NO.	B									
SHEET NO.	1 OF 2									



TOP OF VAULT OR OPENING
FRAME IS CAST INTO CONCRETE,
USE VIBRATION TO FILL WELL.



NOTES:
 PN: VSH-H20-A-24-24-S-GS
 DESC: H20 HATCH ASSEMBLY,SINGLE LEAF-24 X 24
 MATRL: Aluminum
 EST. WT: 123.67
 FINISH: Bare
 NOTE: ERROR!:note
 CAD FILE: VSH-H20-A-24-24-S-SPEC

THIS DOCUMENT CONTAINS PROPRIETARY, TRADE SECRET INFORMATION THAT IS THE PROPERTY OF VERSA STEEL, INC. THE INFORMATION CONTAINED IN THIS DOCUMENT, INCLUDING THE PRINCIPLE OF DESIGN, MAY NOT BE USED OR COPIED, IN WHOLE OR IN PART, WITHOUT THE EXPRESS PRIOR WRITTEN CONSENT OF VERSA STEEL, INC.

MATERIAL		Aluminum
FINISH		Bare
SHEET TITLE		H20 HATCH ASSEMBLY,SINGLE LEAF-24 X 24
PART NUMBER		VSH-H20-A-24-24-S-GS
SUPPLIER		ERROR!:vendor
SCALE		1:14
DRAWING NO.		VSH-H20-A-24-24-S-SPEC
REVISION NO.		B
SHEET NO.		2 OF 2
REV	ISSUED FOR	DATE
G		
F		
E		
D		
C		
B		
A		

VERSA STEEL, INC.
 1618 NE FIRST AVENUE
 PORTLAND, OREGON 97232
 (503)287-9822
 FAX (503)-287-7483

DRAWN BY
 E.BAILIFF
 DATE
 2010-11-24
 CHECKED BY

APPROVED BY

PART NUMBER: VSH-H20-A-24-24-S-GS